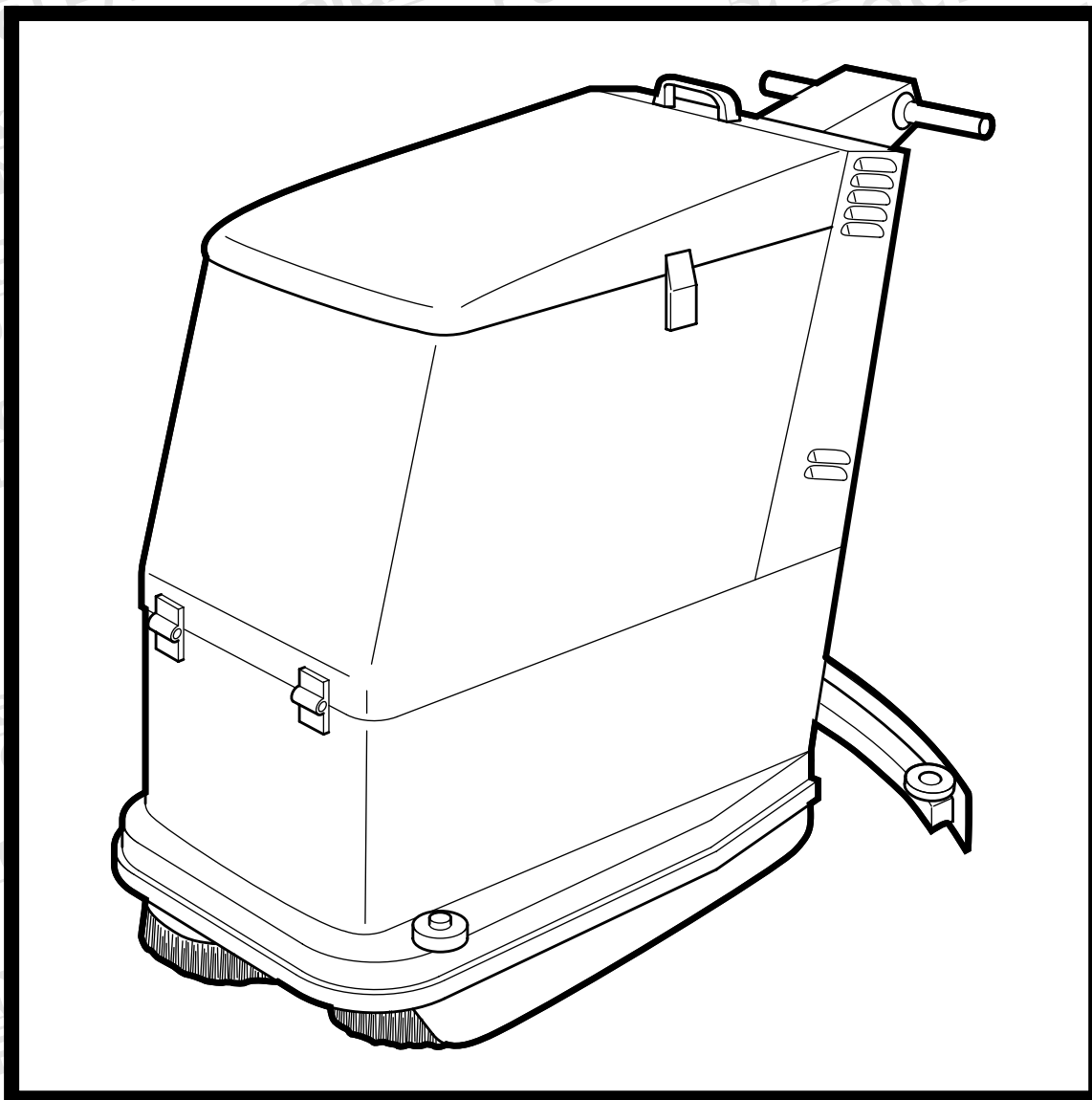


Electrolux **EUROCLEAN**

W 355 B/M



Cod. S32E35IUKFD DIC.96

MANUALE PARTI DI RICAMBIO
SPARE PARTS LIST
LISTE DES PIECES DETACHEES
ERSATZTEILLISTE
RESERVDELSLISTA

ACCESSORIO
OPTIONAL
ACCESSOIRES
ZUBEHÖR

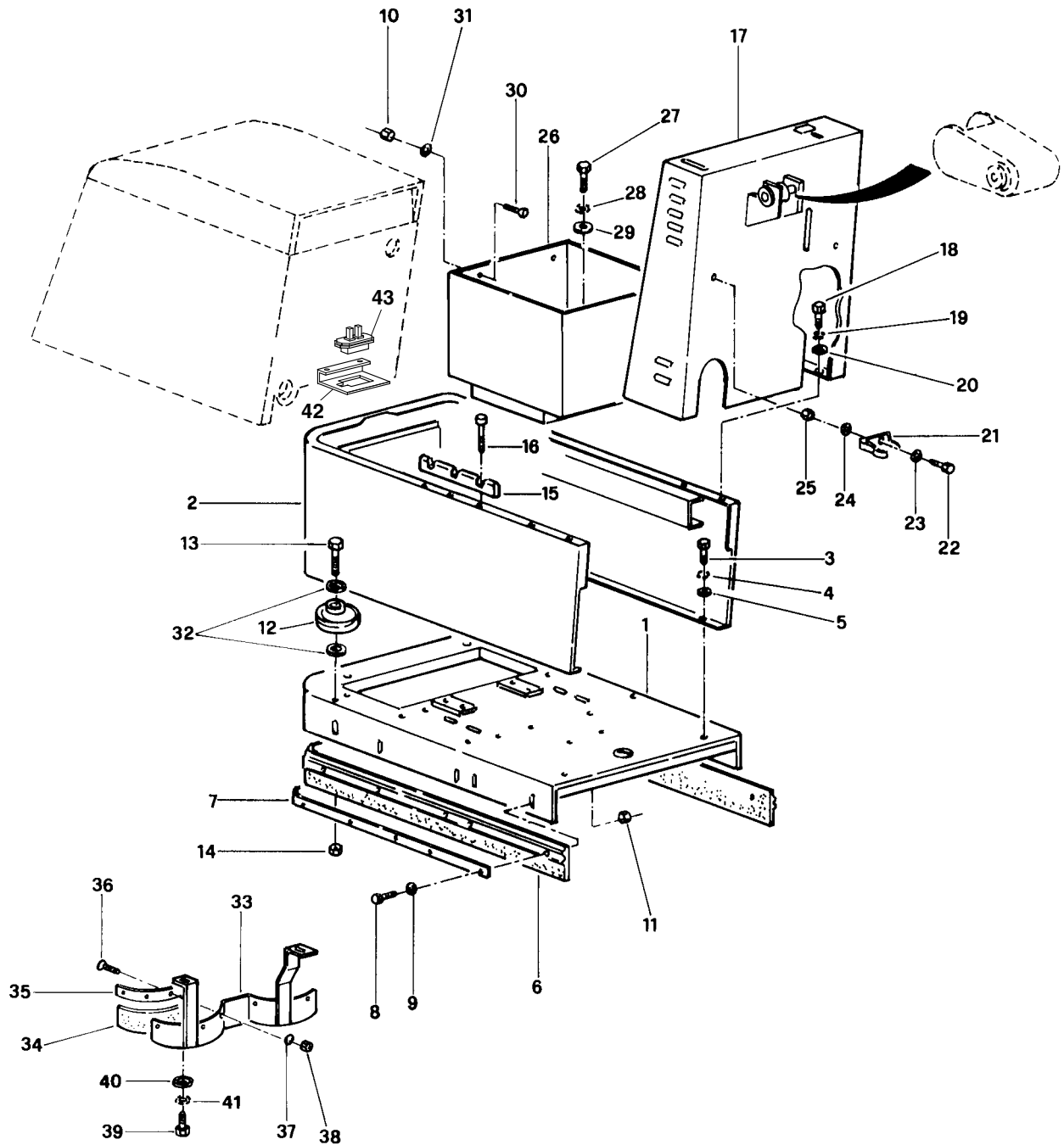
VERSIONE CON CAVO 220V
MAINS VERSION
VERSION AVEC CABLE 220V
MODELL MIT KABEL 220V

VERSIONE A BATTERIA
BATTERY VERSION
VERSION A BATTERIE
BATTERIE MODELL

POSIZ. ITEM POS. EINSAT.	CODICE CODE CODE CODE	DESCRIZIONE DESCRIPTION DESCRIPTION BEZEICHNUNG	B	M	O

TAV. A / DRAW. A / VUE A / ZEICHN. A

W355 B/M

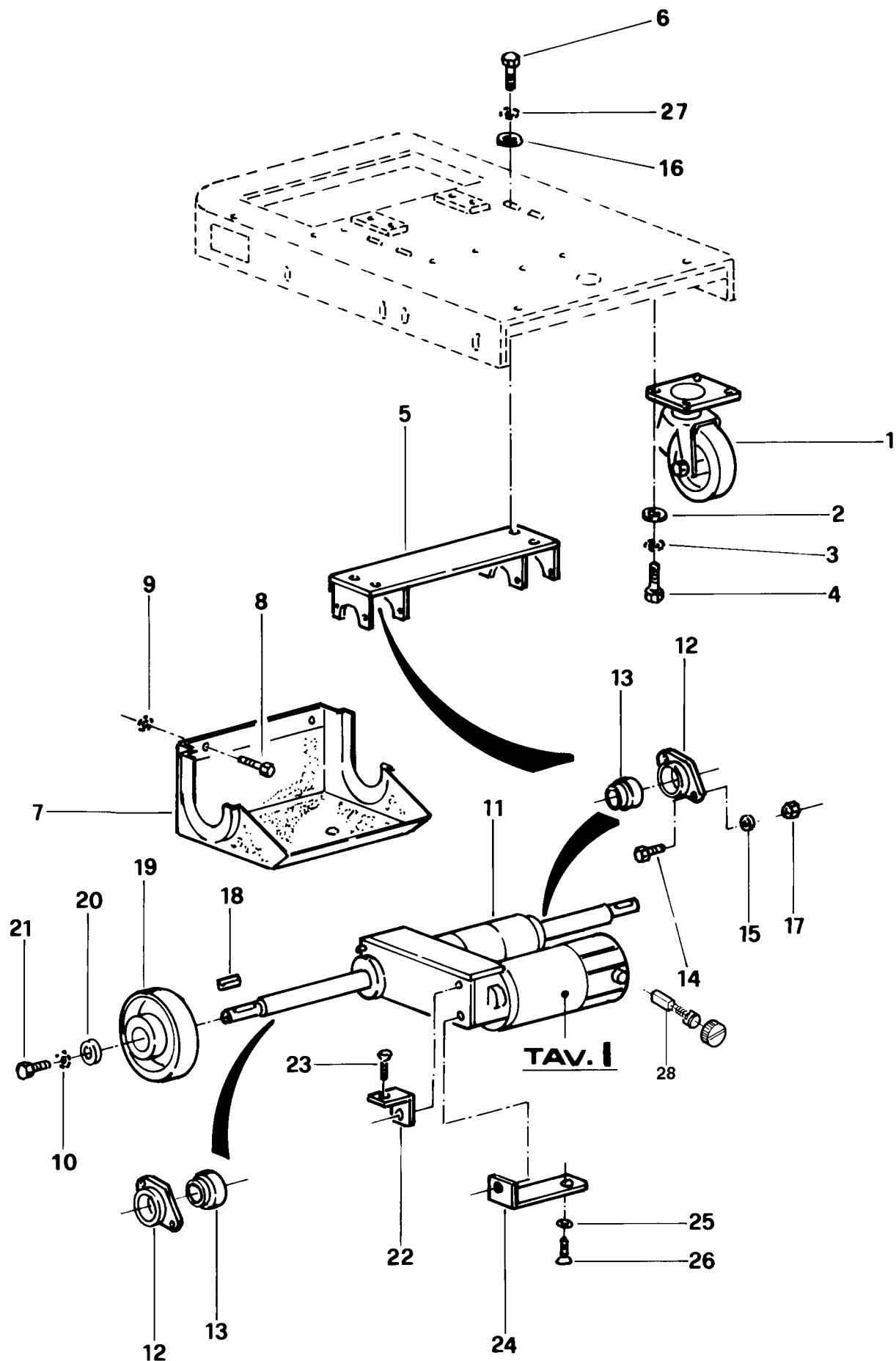


TAV. A / DRAW. A / VUE A / ZEICHN. A

POSIZ. ITEM POS. EINSAT.	CODICE CODE CODE CODE	DESCRIZIONE DESCRIPTION DESCRIPTION BEZEICHNUNG	W355 B/M		
			B	M	O
1	F01.19602	TELAIO / FRAME / CHASSIS / RAHMEN	1	1	
2	F04.14602	CARENATURA / COVER/ BATI / VERKLEIDUNG	1	1	
3	V02.00210	VITE / SCREW / VIS / SCHRAUBE	10	10	
4	V19.00410	RONDELLA / WASHER / RONDELLE / BEILAGSCHEIBE	10	10	
5	V09.02210	RONDELLA / WASHER / RONDELLE / BEILAGSCHEIBE	10	10	
6	H02.24702	PARASPRUZZI / SPLASHGUARD / BNAVETTE GUARD BOUE / SPRITZENS.	1	1	
7	F03.47602	BANDELLA / MAGNETIC STRIP / JOINT MAGN. / MAGNETISCHER STREIF	2	2	
8	V02.07310	VITE / SCREW / VIS / SCHRAUBE	13	13	
9	V09.00210	RONDELLA / WASHER / RONDELLE / BEILAGSCHEIBE	13	13	
10	V13.01910	DADO / NUT / ECROU / MUTTER	2	2	
11	V13.06110	DADO / NUT / ECROU / MUTTER	13	13	
12	D00.05500	RUOTA / WHEEL / ROUE / RAD	2	2	
13	V02.03110	VITE / SCREW / VIS / SCHRAUBE	2	2	
14	V13.02010	DADO / NUT / ECROU / MUTTER	2	2	
15	F03.66400	GUIDA / SLIDE / GUIDE / FUEHRUNGSBAHN	2	2	
16	V04.05010	VITE / SCREW / VIS / SCHRAUBE	6	6	
17	F04.14702	SUPPORTO / SUPPORT / SUPPORT / HALTER	1	1	
18	V02.01210	VITE / SCREW / VIS / SCHRAUBE	4	4	
19	V19.00510	RONDELLA / WASHER / RONDELLE / BEILAGSCHEIBE	4	4	
20	V09.00510	RONDELLA / WASHER / RONDELLE / BEILAGSCHEIBE	4	4	
21	E04.07600	COLLARE / COLLAR / BRIDE / SCHELLE	2	2	
22	V02.02310	VITE / SCREW / VIS / SCHRAUBE	2	2	
23	V09.05310	RONDELLA / WASHER / RONDELLE / BEILAGSCHEIBE	2	2	
24	V09.04903	RONDELLA / WASHER / RONDELLE / BEILAGSCHEIBE	2	2	
25	V13.01810	DADO / NUT / ECROU / MUTTER	2	2	
26	F04.14002	CONTENITORE / CONTAINER / BAC / BEHALTER	1	1	
27	V02.00210	VITE / SCREW / VIS / SCHRAUBE	2	2	
28	V19.00410	RONDELLA / WASHER / RONDELLE / BEILAGSCHEIBE	3	3	
29	V09.02210	RONDELLA / WASHER / RONDELLE / BEILAGSCHEIBE	2	2	
30	V03.00410	VITE / SCREW / VIS / SCHRAUBE	2	2	
31	V09.02210	RONDELLA / WASHER / RONDELLE / BEILAGSCHEIBE	2	2	
32	V09.00510	RONDELLA / WASHER / RONDELLE / BEILAGSCHEIBE	4	4	
33	F04.18701	GUIDA / SLIDE / GUIDE / FUEHRUNGSBAHN	1	1	
34	H02.28500	FLAP / FLAP / BAVETTE / FLAP GUMMI	2	2	
35	F03.59000	PIATTINA / PLATE / PLAQUE / BAND	2	2	
36	V03.00310	VITE / SCREW / VIS / SCHRAUBE	6	6	
37	V09.00410	RONDELLA / WASHER / RONDELLE / BEILAGSCHEIBE	6	6	
38	V13.01910	DADO / NUT / ECROU / MUTTER	6	6	
39	V02.00310	VITE / SCREW / VIS / SCHRAUBE	2	2	
40	V09.02210	RONDELLA / WASHER / RONDELLE / BEILAGSCHEIBE	2	2	
41	V19.00410	RONDELLA / WASHER / RONDELLE / BEILAGSCHEIBE	2	2	
42	F03.69440	PIASTRA / PLATE / PLAQUE / BAND	1	1	
43	G05.11120	INTERRUTTORE / SWITCH / INTERRUPTEUR / SCHALTER	1	1	

TAV. B / DRAW. B / VUE B / ZEICHN. B

W355 B/M

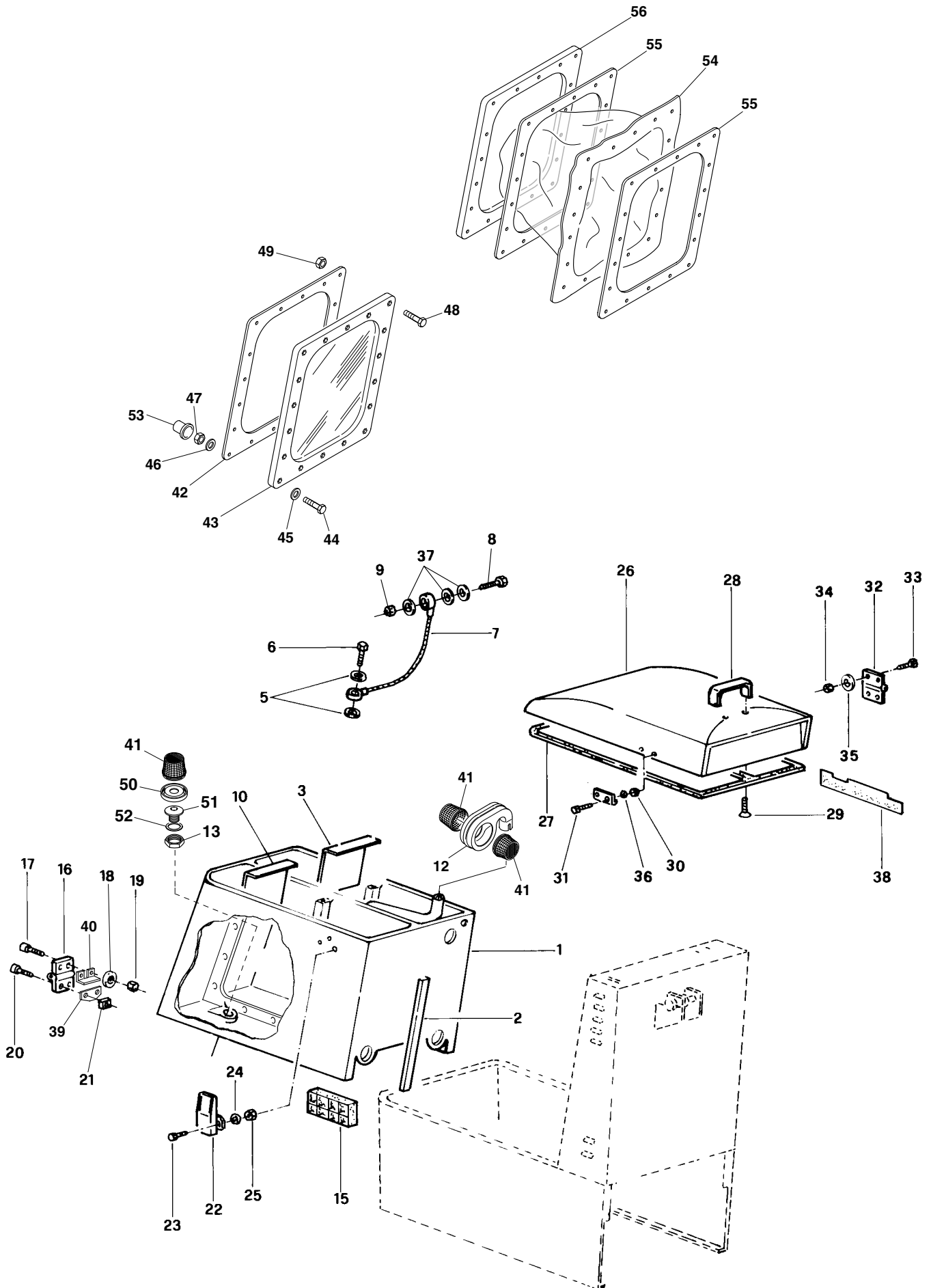


TAV. B / DRAW. B / VUE B / ZEICHN. B

POSIZ. ITEM POS. EINSAT.	CODICE CODE CODE CODE	DESCRIZIONE DESCRIPTION DESCRIPTION BEZEICHNUNG	W355 B/M		
			B	M	O
1	D00.06400	RUOTA / WHEEL / ROUE / RAD	2	2	
2	V09.02010	RONDELLA / WASHER / RONDELLE / BEILAGSCHEIBE	8	8	
3	V19.00510	RONDELLA / WASHER / RONDELLE / BEILAGSCHEIBE	8	8	
4	V02.01310	VITE / SCREW / VIS / SCHRAUBE	8	8	
5	F04.15002	SUPPORTO / SUPPORT / SUPPORT / HALTER	1	1	
6	V02.01310	VITE / SCREW / VIS / SCHRAUBE	4	4	
7	H01.19700	CARTER / CRANKCASE / CARTER / GEHAEUSE	1	1	
8	V02.00310	VITE / SCREW / VIS / SCHRAUBE	2	2	
9	V19.00410	RONDELLA / WASHER / RONDELLE / BEILAGSCHEIBE	2	2	
10	V19.00510	RONDELLA / WASHER / RONDELLE / BEILAGSCHEIBE	2	2	
11	A00.06300	MOTORE / MOTOR / MOTEUR / MOTOR	1	1	
12	C04.01800	SUPPORTO / SUPPORT / SUPPORT / HALTER	4	4	
13	E00.05000	CUSCINETTO / BALL BEARING / ROULEMENT / LAGER	4	4	
14	V02.01310	VITE / SCREW / VIS / SCHRAUBE	8	8	
15	V09.00510	RONDELLA / WASHER / RONDELLE / BEILAGSCHEIBE	8	8	
16	V09.00510	RONDELLA / WASHER / RONDELLE / BEILAGSCHEIBE	4	4	
17	V13.02010	DADO / NUT / ECROU / MUT	8	8	
18	V17.10200	LINGUETTA / TAB / CLAVETTE / KEIL	2	2	
19	D00.06300	RUOTA / WHEEL / ROUE / RAD	2	2	
20	V09.02010	RONDELLA / WASHER / RONDELLE / BEILAGSCHEIBE	2	2	
21	V02.01310	VITE / SCREW / VIS / SCHRAUBE	2	2	
22	F03.51402	SUPPORTO / SUPPORT / SUPPORT / HALTER	1	1	
23	V03.00410	VITE / SCREW / VIS / SCHRAUBE	1	1	
24	F04.15600	SUPPORTO / SUPPORT / SUPPORT / HALTER	1	1	
25	V11.15600	RONDELLA / WASHER / RONDELLE / BEILAGSCHEIBE	1	1	
26	V03.00310	VITE / SCREW / VIS / SCHRAUBE	1	1	
27	V19.00510	RONDELLA / WASHER / RONDELLE / BEILAGSCHEIBE	4	4	
28	A11.02000	CARBONCINO / CARBON BRUSH / BROSSSE MOTEUR / KOLLEKTORBÜERSTE	2	2	

TAV. C / DRAW. C / VUE C / ZEICHN. C

W355 B/M



TAV. C / DRAW. C / VUE C / ZEICHN. C

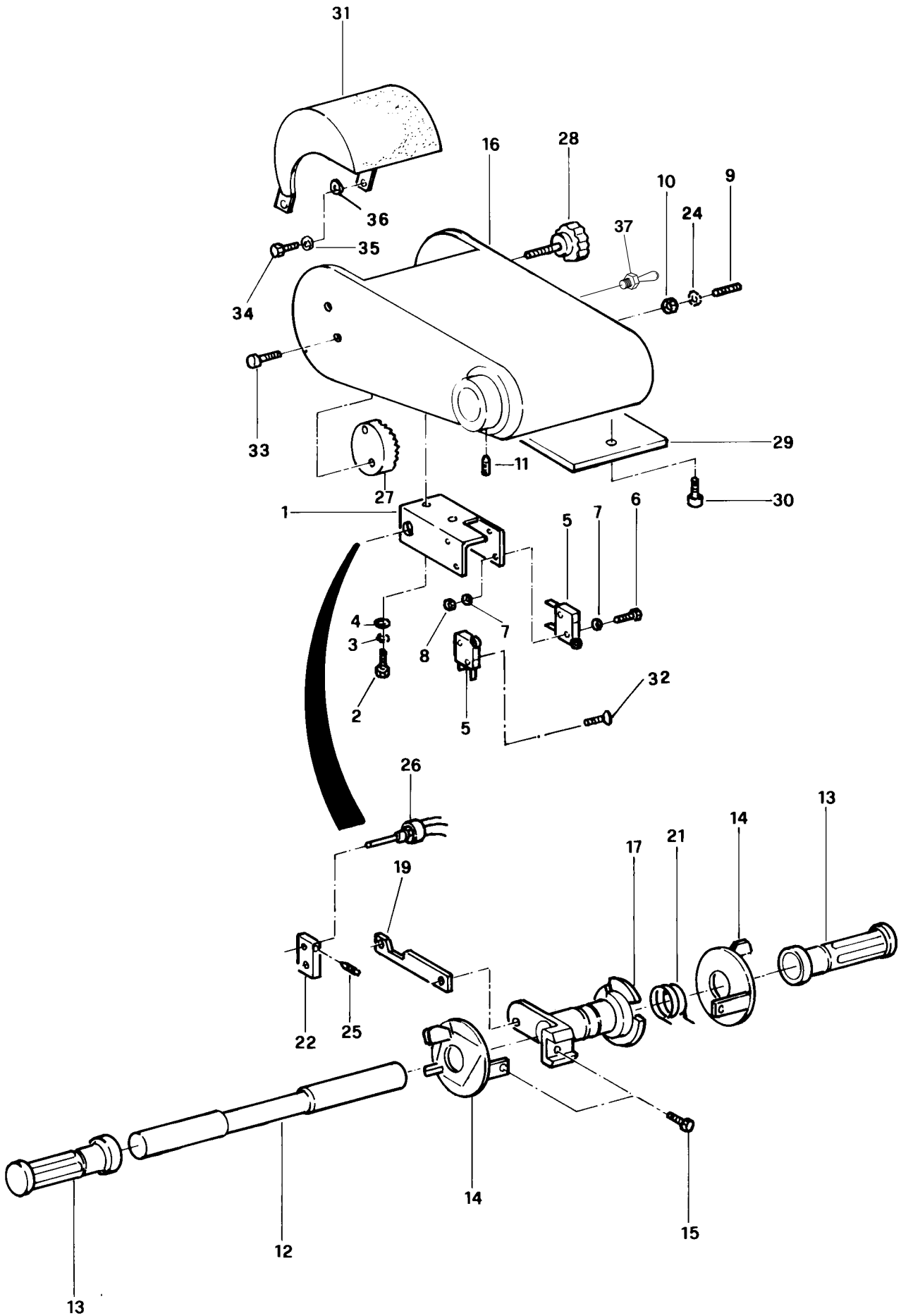
POSIZ. ITEM POS. EINSAT.	CODICE CODE CODE CODE	DESCRIZIONE DESCRIPTION DESCRIPTION BEZEICHNUNG	W355 B/M		
			B	M	O
1	L00.05320	SERBATOIO / TANK / RESERVOIR / TANK BLUE	1	1	
1	L00.05330	SERBATOIO / TANK / RESERVOIR / TANK RED	1	1	
1	L00.05340	SERBATOIO / TANK / RESERVOIR / TANK GREY	1	1	
2	H02.26700	CANALINA / PROTECTION / PROTECTION / LEITUNGSROHR	1	1	
3	H08.00050	PARATIA / DIVIDING PLATE / CLOISON / SCHOTT	1	1	
5	V09.02210	RONDELLA / WASHER / RONDELLE / BEILAGSCHEIBE	2	2	
6	V02.07810	VITE / SCREW / VIS / SCHRAUBE	1	1	
7	E08.13000	CAVO / CABLE / CABLE / KABEL	1	1	
8	V02.08410	VITE / SCREW / VIS / SCHRAUBE	1	1	
9	V13.01910	DADO / NUT / ECROU / MUT	1	1	
10	H08.00030	PARATIA / BUFFLE / CLOISON / SCHOTT	1	1	
10	H08.00040	PARATIA / BUFFLE / CLOISON / SCHOTT			1
12	H01.25930	PROTEZIONE / GUARD / PROTECTION / SCHUTZ	1	1	
13	V13.07120	GHIERA / NUT / ECROU / RING	1	1	
15	H03.06400	PANNELLO / PANEL / PANNEAU / PANEL	1	1	
16	L02.14400	CERNIERA / HINGE / CHARNIERE / SCHARNIER	2	2	
17	V02.10510	VITE / SCREW / VIS / SCHRAUBE	4	4	
18	V09.05310	RONDELLA / WASHER / RONDELLE / BEILAGSCHEIBE	4	4	
19	V13.01810	DADO / NUT / ECROU / MUT	4	4	
20	V02.02310	VITE / SCREW / VIS / SCHRAUBE	4	4	
21	F03.51600	PIASTRA / PLATE / PLAQUE / PLATTE	2	2	
22	L02.13900	CHIUSURA / PROTECTION SIDE PLATE / FERMATURE / VERSCHLUSS	1	1	
23	V02.10510	VITE / SCREW / VIS / SCHRAUBE	3	3	
24	V09.05310	RONDELLA / WASHER / RONDELLE / BEILAGSCHEIBE	3	3	
25	V13.01810	DADO / NUT / ECROU / MUT	3	3	
26	H01.20001	COPERCHIO / LID COVER / COUVERCLE / DECKEL BLUE	1	1	
26	H01.21400	COPERCHIO / LID COVER / COUVERCLE / DECKEL GREY	1	1	
27	H04.10300	GUARNIZIONE / GASKET / JOINT / DICHTUNG	1	1	
28	L02.14000	MANIGLIA / HANDLE / POIGNEE / HANDGRIFF	1	1	
29	V03.04410	VITE / SCREW / VIS / SCHRAUBE	2	2	
30	V13.01810	DADO / NUT / ECROU / MUT	2	2	
31	V02.10510	VITE / SCREW / VIS / SCHRAUBE	2	2	
32	L02.14400	CERNIERA / HINGE / CHARNIERE / SCHARNIER	2	2	
33	V02.10510	VITE / SCREW / VIS / SCHRAUBE	4	4	
34	V13.01810	DADO / NUT / ECROU / MUT	4	4	
35	V09.05310	RONDELLA / WASHER / RONDELLE / BEILAGSCHEIBE	4	4	
36	V09.05310	RONDELLA / WASHER / RONDELLE / BEILAGSCHEIBE	2	2	
37	V09.02210	RONDELLA / WASHER / RONDELLE / BEILAGSCHEIBE	5	5	
38	H02.29600	RIPARO / GUARD / PROTECTION / SCHUTZWEHR	1	1	
39	F03.69070	SPESSORE / WASHER / ÉPAISSEUR / BLECHSTÜCK	2	2	
40	F03.69430	PIASTRA / PLATE / PLAQUE / PLATTE	1	1	
41	H08.00100	CESTINO FILTRO DI FONDO / FILTER / FILTRE / FILTER	3	3	
42	H04.10530	GUARNIZIONE / GASKET / JOINT / DICHTUNG	1	1	
43	F01.21680	TELAIO / FRAME / CHASSIS / RAHMEN	1	1	
44	V02.00610	VITE / SCREW / VIS / SCHRAUBE	17	17	
45	V09.02210	RONDELLA / WASHER / RONDELLE / BEILAGSCHEIBE	18	18	

TAV. C / DRAW. C / VUE C / ZEICHN. C

POSIZ. ITEM POS. EINSAT.	CODICE CODE CODE CODE	DESCRIZIONE DESCRIPTION DESCRIPTION BEZEICHNUNG	W355 B/M		
			B	M	O
46	V19.00410	RONDELLA / WASHER / RONDELLE / BEILAGSCHEIBE	18	18	
47	V13.09630	DADO / NUT / ECROU / MUT	18	18	
48	V02.07810	VITE / SCREW / VIS / SCHRAUBE	1	1	
49	V13.00410	DADO / NUT / ECROU / MUT	1	1	
50	H08.00110	BASE CESTINO DI FONDO / SUPPORT / SUPPORT / HALTER	1	1	
51	H08.00160	RACCORDO / RACCORD / JOINT / ANSCHLUß	1	1	
52	H04.10580	GUARNIZIONE / GASKET / JOINT / DICHTUNG	1	1	
53	H08.00170	COPRIDADO / COVER-NUT / CAPUCHON / SCHUTZKAPPE	18	18	
54	H02.34460	MEMBRANA / MEMBRANE / MEMBRANE / MEMBRAN			1
55	H04.10530	GUARNIZIONE / GASKET / JOINT / DICHTUNG			2
56	F01.21500	TELAIO / FRAME / CHASSIS / RAHMEN			1

TAV. D / DRAW. D / VUE D / ZEICHN. D

W355 B/M

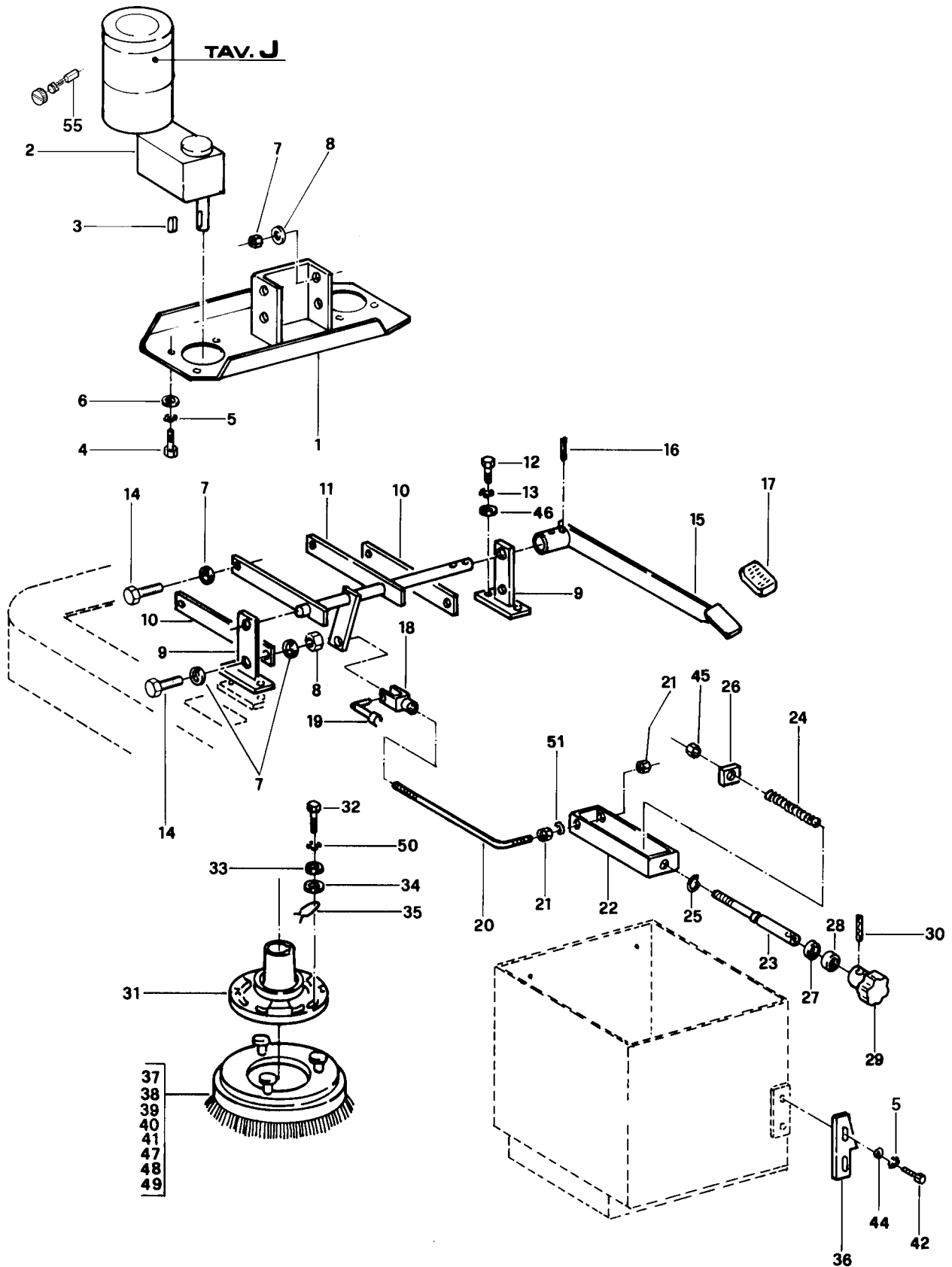


TAV. D / DRAW. D / VUE D / ZEICHN. D

POSIZ. ITEM POS. EINSAT.	CODICE CODE CODE CODE	DESCRIZIONE DESCRIPTION DESCRIPTION BEZEICHNUNG	W355 B/M		
			B	M	O
1	F03.69370	SUPPORTO / SUPPORT / SUPPORT / HALTER	1	1	
2	V02.00210	VITE / SCREW / VIS / SCHRAUBE	2	2	
3	V19.00410	RONDELLA / WASHER / RONDELLE / BEILAGSCHEIBE	2	2	
4	V09.02210	RONDELLA / WASHER / RONDELLE / BEILAGSCHEIBE	2	2	
5	G05.04900	MICROINT. / MICROSWITCH / MICROINTERRUPTEUR / MICROSCHALTER	2	2	
6	V02.09803	VITE / SCREW / VIS / SCHRAUBE	2	2	
7	V09.001	RONDELLA / WASHER / RONDELLE / BEILAGSCHEIBE	6	6	
8	V13.06010	DADO / NUT / ECROU / MUT	4	4	
9	V08.02502	GRANO / DOWEL / GOUPILLE / STIFT	1	1	
10	V13.00410	DADO / NUT / ECROU / MUT	1	1	
11	V08.001	GRANO / DOWEL / GOUPILLE / STIFT	2	2	
12	E02.62400	MANOPOLA / KNOB / POIGNEE / DREHKNOPF	1	1	
13	L02.09500	MANOPOLA / KNOB / POIGNEE / DREHKNOPF	2	2	
14	L02.15600	ACCELERATORE / ACCELERATOR / ACCELERATEUR / GASHEBELKABEL	2	2	
15	V02.11003	VITE / SCREW / VIS / SCHRAUBE	2	2	
16	F04.20300	MANUBRIO / HANDLE / GUIDON / LENKER	1	1	
17	L02.13300	CAMMA / CAM / CAME / KAMM	1	1	
19	H08.00020	LEVA / LEVER / LEVIER / HEBEL	1	1	
21	E04.08100	MOLLA / SPRING / RESSORT / FEDER	1	1	
22	H08.00010	BIELLA / CONNECTING ROD / BIELLE / FLUEGELSTANGE	1	1	
24	V19.00410	RONDELLA / WASHER / RONDELLE / BEILAGSCHEIBE	1	1	
25	V05.01910	VITE / SCREW / VIS / SCHRAUBE	1	1	
26	G13.19290	CABLAGGIO / HARNESS / CABLAGE / KABELVERBINDUNG	1	1	
27	E02.63600	MARGHERITA / COG WHEEL / ENGRENAGES / ZAHNRAD	1	1	
28	L02.14500	VOLANTINO / KNOB / MOLETTE / HANDRAD	1	1	
29	F03.46500	CHIUSURA / PROTECTION SIDE PLATE / FERMETURE / VERSCHLUSS	1	1	
30	V03.05010	VITE / SCREW / VIS / SCHRAUBE	3	3	
31	H01.21200	CARTER / CRANKCASE / CARTER / GEHAEUSE	1	1	
32	V03.06200	VITE / SCREW / VIS / SCHRAUBE	2	2	
33	V01.005	VITE / SCREW / VIS / SCHRAUBE	2	2	
34	V02.061	VITE / SCREW / VIS / SCHRAUBE	2	2	
35	V19.00310	RONDELLA / WASHER / RONDELLE / BEILAGSCHEIBE	2	2	
36	V09.00310	RONDELLA / WASHER / RONDELLE / BEILAGSCHEIBE	2	2	
37	G05.10700	INETRRUTTORE / SWITCH / INTERRUPTEUR / SCHALTER	1	1	

TAV. E / DRAW. E / VUE E / ZEICHN. E

W355 B/M

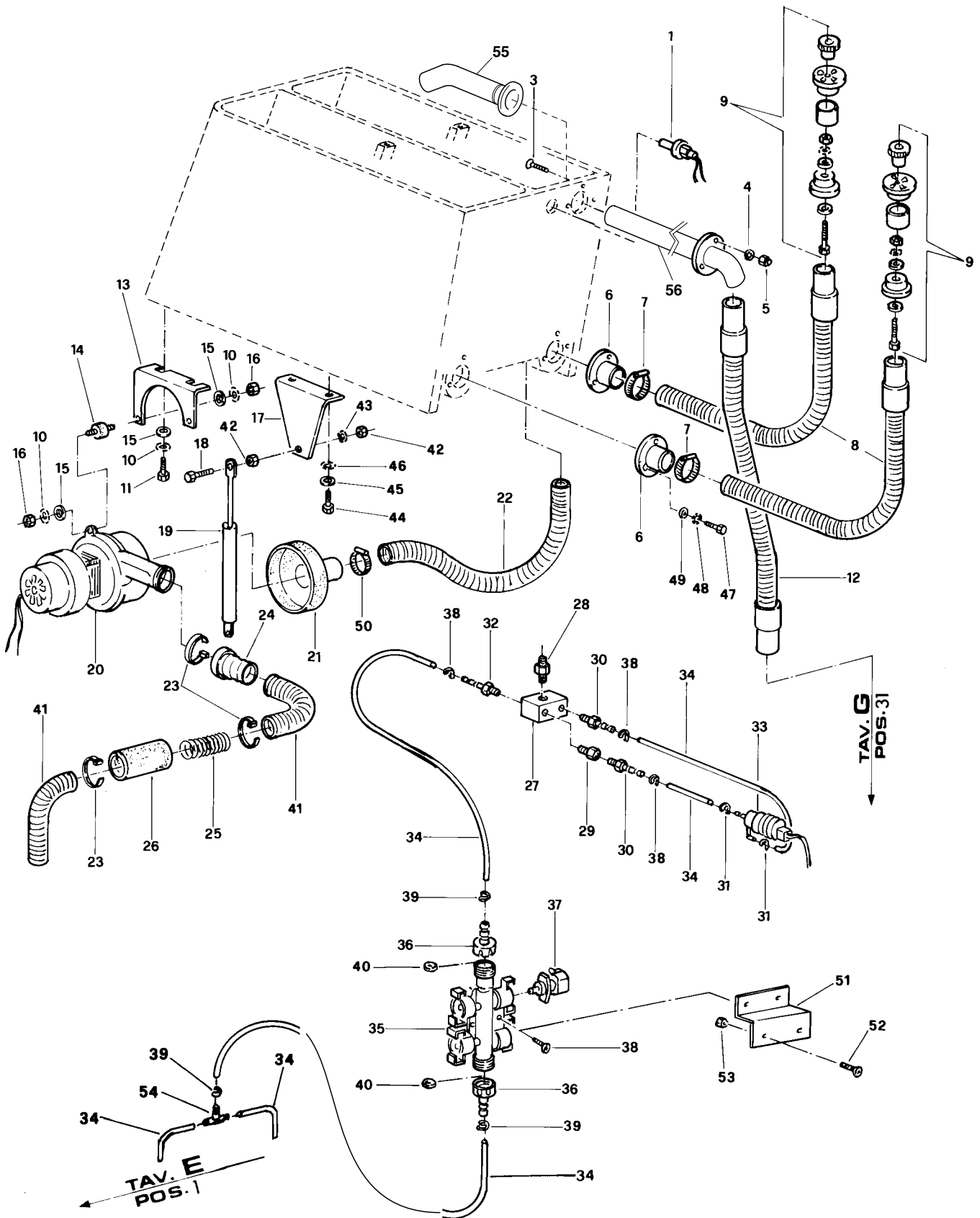


TAV. E / DRAW. E / VUE E / ZEICHN. E

POSIZ. ITEM POS. EINSAT.	CODICE CODE CODE CODE	DESCRIZIONE DESCRIPTION DESCRIPTION BEZEICHNUNG	W355 B/M		
			B	M	O
1	F04.16502	PIASTRA / PLATE / PLAQUE / PLATTE	1	1	
2	A05.01400	MOTORID. / REDUCTION GEAR / MOTORED. / VERMINDERUNGSGETRIEBE	2	2	
3	V17.10100	LINGUETTA / TAB / CLAVETTE / KEIL	2	2	
4	V02.00410	VITE / SCREW / VIS / SCHRAUBE	8	8	
5	V19.00410	RONDELLA / WASHER / RONDELLE / BEILAGSCHEIBE	8	8	
6	V09.02210	RONDELLA / WASHER / RONDELLE / BEILAGSCHEIBE	8	8	
7	V09.02010	RONDELLA / WASHER / RONDELLE / BEILAGSCHEIBE	6	6	
8	V13.02010	DADO / NUT / ECROU / MUT	6	6	
9	F04.12701	MONTANTE / SUPPORT / SUPPORT / PFOSTEN	2	2	
10	F04.12901	LEVA / LEVER / LEVIER / HEBEL	2	2	
11	F04.14102	LEVA / LEVER / LEVIER / HEBEL	1	1	
12	V02.01310	VITE / SCREW / VIS / SCHRAUBE	4	4	
13	V19.00510	RONDELLA / WASHER / RONDELLE / BEILAGSCHEIBE	4	4	
14	V02.01410	VITE / SCREW / VIS / SCHRAUBE	6	6	
15	F04.14300	PEDALE / PEDAL / PEDALE / PEDAL	1	1	
16	V17.10600	SPINA / PIN / GOUPILLE / STIFT	2	2	
17	H02.063	COPRIPEDALE / PEDAL COVER / HOUSSE PEDALE / PEDALDECKUNG	1	1	
18	V17.022	FORCELLA / FORK / FOURCHETTE / GABELSTUECK	1	1	
19	V17.023	CLIP / CIRCLIP / CLIP / KLIPP	1	1	
20	E02.68200	TIRANTE / TENSION ROD / TIRANT / ZUGSTANGE	1	1	
21	V13.00510	DADO / NUT / ECROU / MUT	2	2	
22	F03.45000	SUPPORTO / SUPPORT / SUPPORT / HALTER	1	1	
23	E02.67400	ALBERO / SHAFT / ARBRE / WELLE	1	1	
24	E04.09430	MOLLA / SPRING / RESSORT / FEDER	1	1	
25	V14.006	SEEGER / RETAINING RING / CIRCLIPS / SICHERUNGSRINGT	1	1	
26	F04.12500	DADO / NUT / ECROU / MUT	1	1	
27	V09.007	RONDELLA / WASHER / RONDELLE / BEILAGSCHEIBE	1	1	
28	V09.00750	RONDELLA / WASHER / RONDELLE / BEILAGSCHEIBE	1	1	
29	L02.15000	VOLANTINO / KNOB / MOLETTE / HANDRAD	1	1	
30	V17.11200	SPINA / PIN / GOUPILLE / STIFT	1	1	
31	RDDBORE27	MOZZO SINISTRO / HUB LEFT / MOYEU GAUCHE / NABE LINKSGÄNGIG	1	1	
36	F03.50000	PIASTRA / PLATE / PLAQUE / PLATTE	1	1	
37	B04.01800	SPAZZOLA / BRUSH / BROSSSE / BUERSTE STANDARD D 0.1			2
38	B04.02300	SPAZZOLA / BRUSH / BROSSSE / BUERSTE SOFT D 0.7			2
39	B04.02400	SPAZZOLA / BRUSH / BROSSSE / BUERSTE NATURAL FIBRE			2
40	B04.02900	SPAZZOLA / BRUSH / BROSSSE / BUERSTE TYNEX			2
41	B04.01900	DISCO TRASCINAT. / PAD HOLDER / DISQUE D'ENTRAIN / TREIBTELLER			2
42	V02.00210	VITE / SCREW / VIS / SCHRAUBE	2	2	
44	V09.02210	RONDELLA / WASHER / RONDELLE / BEILAGSCHEIBE	2	2	
45	V13.00510	DADO / NUT / ECROU / MUT	1	1	
46	V09.00510	RONDELLA / WASHER / RONDELLE / BEILAGSCHEIBE	4	4	
47	B04.02500	DISCO / PAD / DISQUE / DISK NERO			2
48	B04.02600	DISCO / PAD / DISQUE / DISK ROSSO			2
49	B04.02700	DISCO / PAD / DISQUE / DISK VERDE			2
54	RDDB.0RE26	MOZZO DESTRO / HUB RIGHT / MOYEU DROIT / NABE RECHTSGÄNGIG	1	1	
55	A07.00300	CARBONCINO / CARBON BRUSH / BROSSSE MOTEUR / KOLLEKTORBÜERSTE	2	2	

TAV. F / DRAW. F / VUE F / ZEICHN. F

W355 B/M



TAV. F / DRAW. F / VUE F / ZEICHN. F

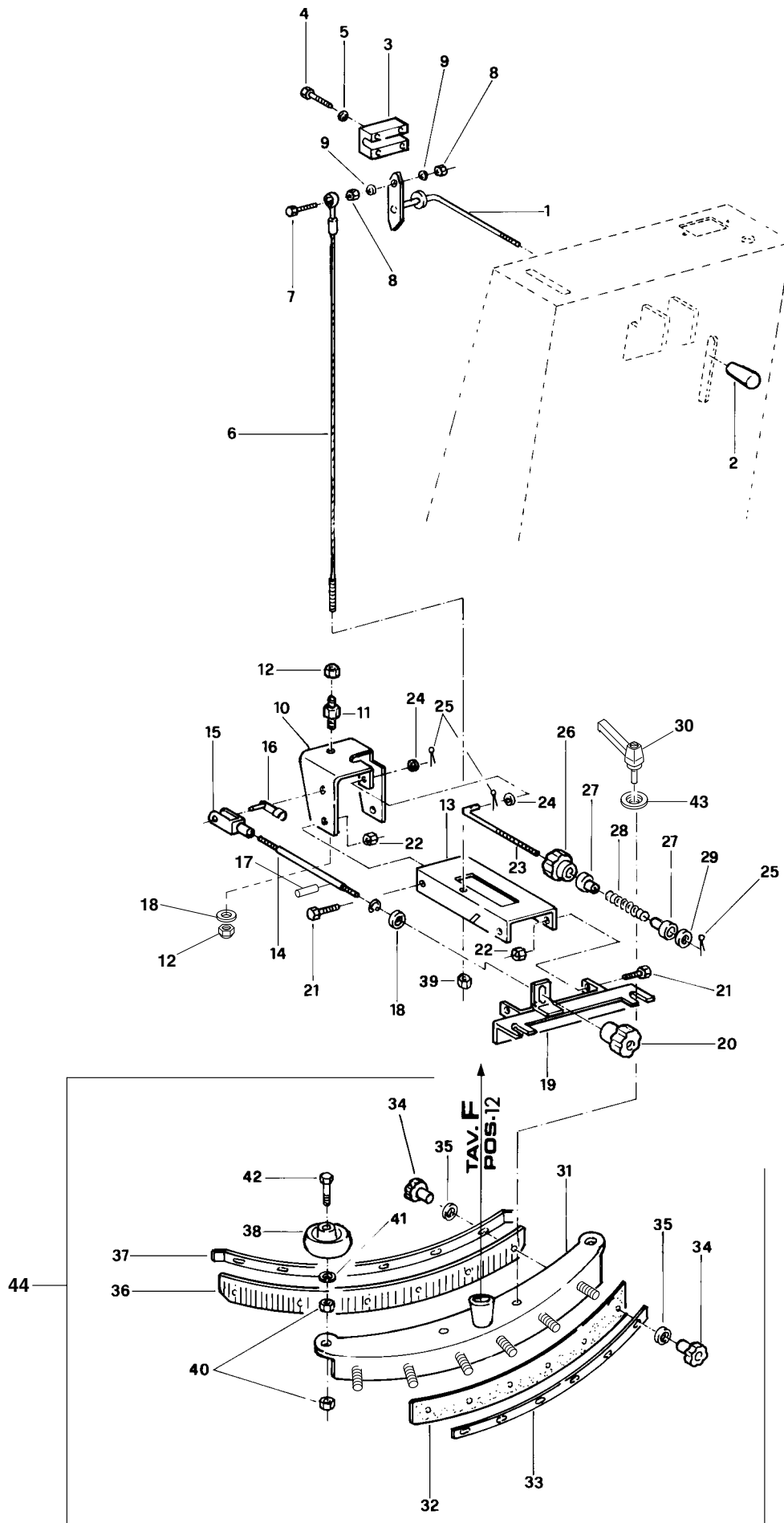
POSIZ. ITEM POS. EINSAT.	CODICE CODE CODE CODE	DESCRIZIONE DESCRIPTION DESCRIPTION BEZEICHNUNG	W355 B/M		
			B	M	O
1	G05.09200	GALLEGGIANTE / FLOAT / FLOTTEUR / SCHWIMMER	1	1	
3	V02.00410	VITE / SCREW / VIS / SCHRAUBE	3	3	
4	V09.02210	RONDELLA / WASHER / RONDELLE / BEILAGSCHEIBE	6	6	
5	V13.01910	DADO / NUT / ECROU / MUT	3	3	
6	F04.13900	FLANGIA / FLANGE / FLASQUE / FLANSCH	2	2	
7	V20.02100	FASCETTA / CLAMP / COLLIER / PASSRING	2	2	
8	H06.03730	TUBO / PIPE / TUYAU / SCHLAUCH	2	2	
9	R4DA0L020	TAPPO / CAP / BOUCHON / PFROPFEN	2	2	
10	V19.00410	RONDELLA / WASHER / RONDELLE / BEILAGSCHEIBE	6	6	
11	V02.00310	VITE / SCREW / VIS / SCHRAUBE	2	2	
12	H06.03710	TUBO ASPIR. / VACUUM HOSE / TUYAU / SAUGSCHLAUCH	1	1	
13	F03.67900	SUPPORTO / SUPPORT / SUPPORT / HALTER	1	1	
14	L02.15700	ANTIVIBR. / VIBRATION DAMPING / SILENT BLOC / SCHWINGUNGSDAMP.	2	2	
15	V09.00410	RONDELLA / WASHER / RONDELLE / BEILAGSCHEIBE	6	6	
16	V13.00410	DADO / NUT / ECROU / MUT	4	4	
17	F03.69480	SUPPORTO / SUPPORT / SUPPORT / HALTER	1	1	
18	V02.00410	VITE / SCREW / VIS / SCHRAUBE	1	1	
19	E04.06300	MOLLA / SPRING / RESSORT / FEDER	1	1	
20	A00.07000	ASPIRATORE / VACUUM MOTOR / ASPIRATEUR / SAUGER	1	1	
21	H08.00060	CONVOGLIATORE ARIA /	1	1	
22	H06.03000	TUBO / PIPE / TUYAU / SCHLAUCH	1	1	
23	V20.04500	FASCETTA / CLAMP / COLLIER / PASSRING	3	3	
24	E08.14600	GUAINA / SHEATH / GAINE / MANTEL	1	1	
25	E04.08200	MOLLA / SPRING / RESSORT / FEDER	1	1	
26	H03.06300	FONOASS. / ACOUSTIC INSULATION / INSONORIS. / SCHALLDAMPFEND	1	1	
27	E02.63400	BLOCCHETTO / BLOCK / BLOC / ANPASSKOERPER	1	1	
28	E02.61800	PASSAPARATIA / PIPE FITTING / CLOISON / VERBINDUNG	1	1	
29	M03.08000	RIDUZIONE / REDUCTION / REDUCTION / REDUKTION	1	1	
30	M03.039	PORTAGOMMA / PIPE HOLDER / RACCORD / GUMMIHALTER	2	2	
31	V20.04600	FASCETTA / CLAMP / COLLIER / PASSRING	2	2	
32	M03.002	PORTAGOMMA / PIPE HOLDER / RACCORD / GUMMIHALTER	1	1	
33	G02.11200	POMPA / PUMP / POMPE / PUMPE	1	1	
34	RDEA1H050	TUBI POMPA ELETTR. / PUMP ELETTR. / TUYAU / SCHLAUCHER PUMPE-EL.	1	1	
35	G02.12900	ELETTROVALVOLA / ELECTROVALVE / ELECTROVALVE / ELEKTROVENTIL	1	1	
36	M03.25400	PORTAGOMMA / PIPE HOLDER / RACCORD / GUMMIHALTER	2	2	
37	G02.12400	BOBINA / COIL / BOBINE / SPULE	4	4	
38	V20.04700	FASCETTA / CLAMP / COLLIER / PASSRING	3	3	
39	V20.04800	FASCETTA / CLAMP / COLLIER / PASSRING	2	2	
40	H04.10000	GUARNIZIONE / GASKET / JOINT / DICHTUNG	2	2	
41	H06.03700	TUBO / PIPE / TUYAU / SCHLAUCH	2	2	
42	V13.00510	DADO / NUT / ECROU / MUT	2	2	
43	V19.00510	RONDELLA / WASHER / RONDELLE / BEILAGSCHEIBE	1	1	
44	V02.00310	VITE / SCREW / VIS / SCHRAUBE	2	2	
45	V19.00410	RONDELLA / WASHER / RONDELLE / BEILAGSCHEIBE	2	2	
46	V09.02210	RONDELLA / WASHER / RONDELLE / BEILAGSCHEIBE	2	2	
47	V02.00310	VITE / SCREW / VIS / SCHRAUBE	6	6	

TAV. F / DRAW. F / VUE F / ZEICHN. F

POSIZ. ITEM POS. EINSAT.	CODICE CODE CODE CODE	DESCRIZIONE DESCRIPTION DESCRIPTION BEZEICHNUNG	W355 B/M		
			B	M	O
48	V19.00410	RONDELLA / WASHER / RONDELLE / BEILAGSCHEIBE	6	6	
49	V09.00410	RONDELLA / WASHER / RONDELLE / BEILAGSCHEIBE	6	6	
50	V20.02100	FASCETTA / CLAMP / COLLIER / PASSRING	2	2	
51	F03.64100	SUPPORTO / SUPPORT / SUPPORT / HALTER	1	1	
52	V03.03902	VITE / SCREW / VIS / SCHRAUBE	2	2	
53	V13.06100	DADO / NUT / ECROU / MUT	2	2	
54	M03.25510	PORTAGOMMA / PIPE HOLDER / RACCORD / GUMMIHALTER	1	1	
55	H05.08760	TERMINALE TUBO ASP. / END VACUUM HOSE / TERMINAL TUYAU / SAUGSCHLAUCHENDE	1	1	
56	H05.08750	TUBO ASPIRAZIONE / VACUUM HOSE / TUYAU / SAUGSCHLAUCH	1	1	

TAV. G / DRAW. G / VUE G / ZEICHN. G

W355 B/M

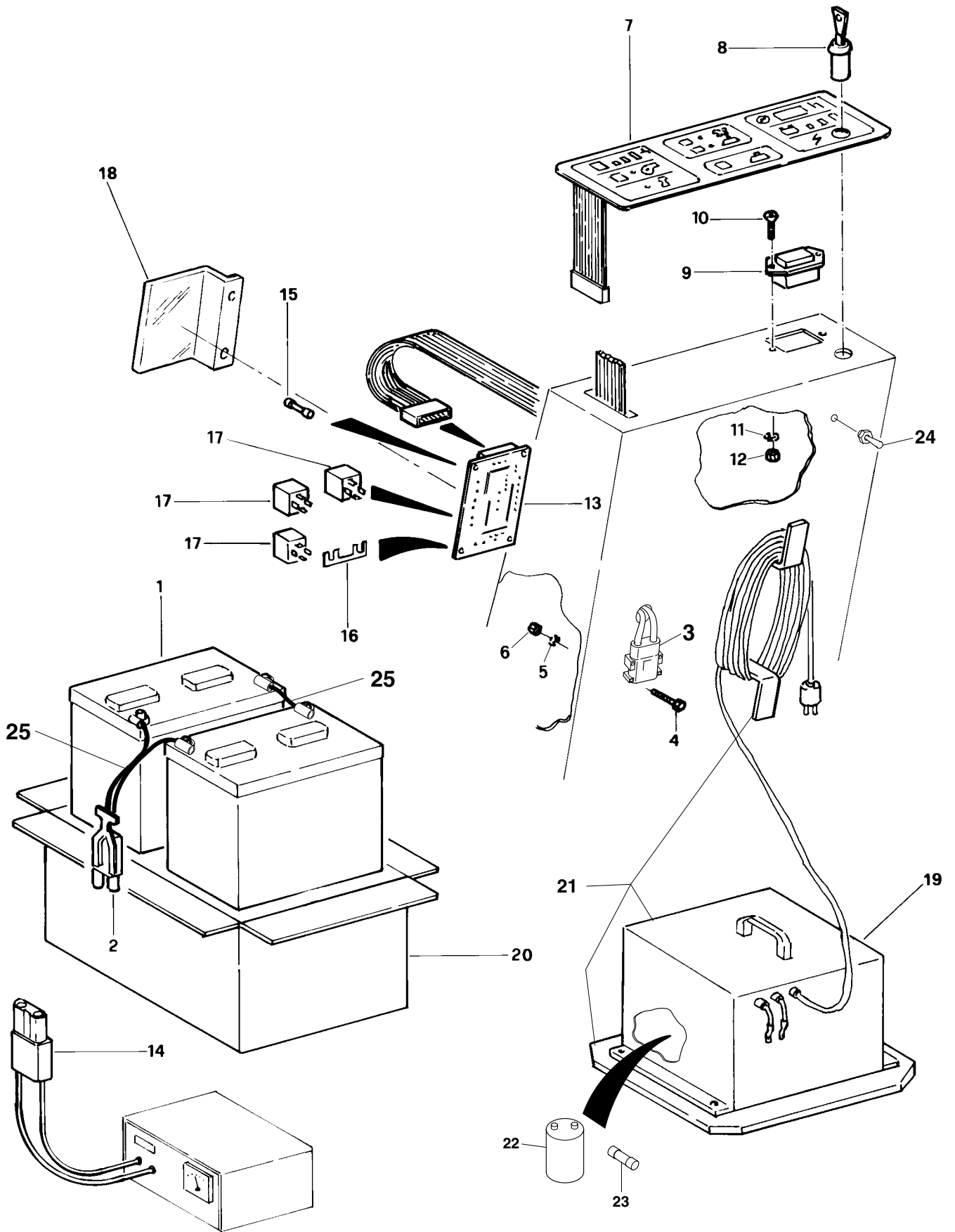


TAV. G / DRAW. G / VUE G / ZEICHN. G

POSIZ. ITEM POS. EINSAT.	CODICE CODE CODE CODE	DESCRIZIONE DESCRIPTION DESCRIPTION BEZEICHNUNG	W355 B/M		
			B	M	O
1	F03.66800	LEVA / LEVER / LEVIER / HEBEL	1	1	
2	L03.02400	POMELLO / KNOB / BOULE / KUGELGRIFF	1	1	
3	L02.15800	BLOCCHETTO / BLOCK / BLOC / ANPASSKOERPER	1	1	
4	V04.01300	VITE / SCREW / VIS / SCHRAUBE	4	4	
5	V09.00310	RONDELLA / WASHER / RONDELLE / BEILAGSCHEIBE	4	4	
6	E08.15000	CAVO / CABLE / CABLE / KABEL	1	1	
7	V02.00310	VITE / SCREW / VIS / SCHRAUBE	1	1	
8	V13.00410	DADO / NUT / ECROU / MUT	2	2	
9	V09.00410	RONDELLA / WASHER / RONDELLE / BEILAGSCHEIBE	2	2	
10	F04.20900	SNODO / LINK / JOINT / GELENK	1	1	
11	E02.67900	PERNO / PIN / AXE / STIFT	1	1	
12	V13.021	DADO / NUT / ECROU / MUT	2	2	
13	F03.68100	PIASTRA / PLATE / PLAQUE / PLATTE	1	1	
14	E02.68400	TIRANTE / TENSION ROD / TIRANT / ZUGSTANGE	1	1	
15	V17.022	FORCELLA / FORK / FOURCHETTE / GABELSTUECK	1	1	
16	V17.023	CLIP / CIRCLIP / CLIP / KLIPP	1	1	
17	V17.11410	SPINA / PIN / GOUPILLE / STIFT	1	1	
18	V09.00610	RONDELLA / WASHER / RONDELLE / BEILAGSCHEIBE	2	2	
19	F03.66700	SUPPORTO / SUPPORT / SUPPORT / HALTER	1	1	
20	L02.13000	VOLANTINO / KNOB / MOLETTE / HANDRAD	1	1	
21	V02.01310	VITE / SCREW / VIS / SCHRAUBE	4	4	
22	V13.02010	DADO / NUT / ECROU / MUT	4	4	
23	E02.65800	TIRANTE / TENSION ROD / TIRANT / ZUGSTANGE	1	1	
24	E04.08600	MOLLA / SPRING / RESSORT / FEDER	2	2	
25	V15.01603	COPIGLIA / SPLIT PIN / GOUPILLE / SPLINT	3	3	
26	L02.13000	VOLANTINO / KNOB / MOLETTE / HANDRAD	1	1	
27	E05.19100	GUIDA / SLIDE / GUIDE / FUEHRUNGSBAHN	2	2	
28	E04.08500	MOLLA / SPRING / RESSORT / FEDER	1	1	
29	V09.02210	RONDELLA / WASHER / RONDELLE / BEILAGSCHEIBE	1	1	
30	L02.14800	LEVA / LEVER / LEVIER / HEBEL	2	2	
31	F04.20500	CORPO TERGITORE / SQUEEGEE / CORP DE SOUCEUR / SAUGFUSS	1	1	
32	H02.34000	GOMMA / RUBBER / CAOUTCHOU / GUMMI	1	1	
33	F03.66900	BANDELLA / MAGNETIC STRIP / JOINT MAGN. / MAGNETISCHER STREIF	1	1	
34	L02.14700	VOLANTINO / KNOB / MOLETTE / HANDRAD	12	12	
35	V09.02210	RONDELLA / WASHER / RONDELLE / BEILAGSCHEIBE	12	12	
36	H02.34100	GOMMA / RUBBER / CAOUTCHOU / GUMMI	1	1	
37	F03.67000	BANDELLA / MAGNETIC STRIP / JOINT MAGN. / MAGNETISCHER STREIF	1	1	
38	D00.05500	RUOTA / WHEEL / ROUE / RAD	2	2	
39	V13.01910	DADO / NUT / ECROU / MUT	1	1	
40	V13.00510	DADO / NUT / ECROU / MUT	4	4	
41	V09.00510	RONDELLA / WASHER / RONDELLE / BEILAGSCHEIBE	4	4	
42	V02.03110	VITE / SCREW / VIS / SCHRAUBE	2	2	
43	V09.02010	RONDELLA / WASHER / RONDELLE / BEILAGSCHEIBE	2	2	
44	RDEA2RE44	KIT COMPLETO TERGITORE / KIT SQUEEGEE / KIT SOUCEUR / SAUGFUSS KIT	1	1	

TAV. H / DRAW. H / VUE H / ZEICHN. H

W355 B/M



TAV. H / DRAW. H / VUE H / ZEICHN. H

POSIZ. ITEM POS. EINSAT.	CODICE CODE CODE CODE	DESCRIZIONE DESCRIPTION DESCRIPTION BEZEICHNUNG	W355 B/M		
			B	M	O
1	G00.03700	BATTERIA / BATTERY / BATTERIE / BATTERIE			2
2	G03.01000	SPINA / PIN / GOUPILLE / STIFT	1	1	
3	G03.01200	PRESA / PLUG / PRISE / STECKER	1	1	
4	V02.07010	VITE / SCREW / VIS / SCHRAUBE	2	2	
5	V09.00210	RONDELLA / WASHER / RONDELLE / BEILAGSCHEIBE	2	2	
6	V13.00210	DADO / NUT / ECROU / MUTTER	2	2	
7	G02.10900	PLANCIA / PANEL / PLANCHE / PANEEL	1	1	
8	G05.11000	CHIAVE / KEY / CLE / SCHLUESSEL	1	1	
9	G04.01900	CONTAORE / HOUR-METER / COMPTEUR HOR. / STUNDENZAEHLER	1	1	
10	V03.05710	VITE / SCREW / VIS / SCHRAUBE	2	2	
11	V19.02010	RONDELLA / WASHER / RONDELLE / BEILAGSCHEIBE	2	2	
12	V13.06200	DADO / NUT / ECROU / MUTTER	2	2	
13	G02.12800	SCHEDA / CARD / PLATINE / KARTE	1	1	
14	G03.01200	PRESA / PLUG / PRISE / STECKER	1	1	
15	G11.07000	FUSIBILE / FUSE / FUSIBLE / SICHERUNG 5A	1	1	
16	G11.06400	FUSIBILE / FUSE / FUSIBLE / SICHERUNG 60A	1	1	
17	G02.12100	RELAIS / RELAY / RELAIS / RELAIS	3	3	
18	H01.19500	CARTER / CRANKCASE / CARTER / GEHAEUSE	1	1	
19	G00.04200	ALIMENTATORE / POWER SUPPLY / ALIMENTATEUR / SPEISER		1	
20	H02.29400	CONTENITORE / CONTAINER / BAC / BEHAELTER	1		
21	RDDA.0ZE40	KIT ALIMENTATORE / KIT POWER SUPPLY / KIT ALIMENTATEUR / SPEISER KIT			1
22	A13.00040	CONDENSATORE / CAPACITOR / CONDENSATEUR / KONDENSATOR		2	
23	G11.009	FUSIBILE / FUSE / FUSIBLE / SICHERUNG 6A		1	
24	G05.10700	INTERRUTTORE / SWITCH / INTERRUPTEUR / SCHALTER	1	1	
25	G13.13500	KIT CAVI BATTERIA / KIT BATTERY CABLE / KIT CABLE BATTERIE / KABEL KIT	1		

 **Electrolux**
EUROCLEAN

ELECTROLUX EUROCLEAN ITALIA SPA
Località Novella Terza 20070 Guardamiglio-Italy
Telephon nr. +39 377 451124 Fax nr. +39 377 51443