

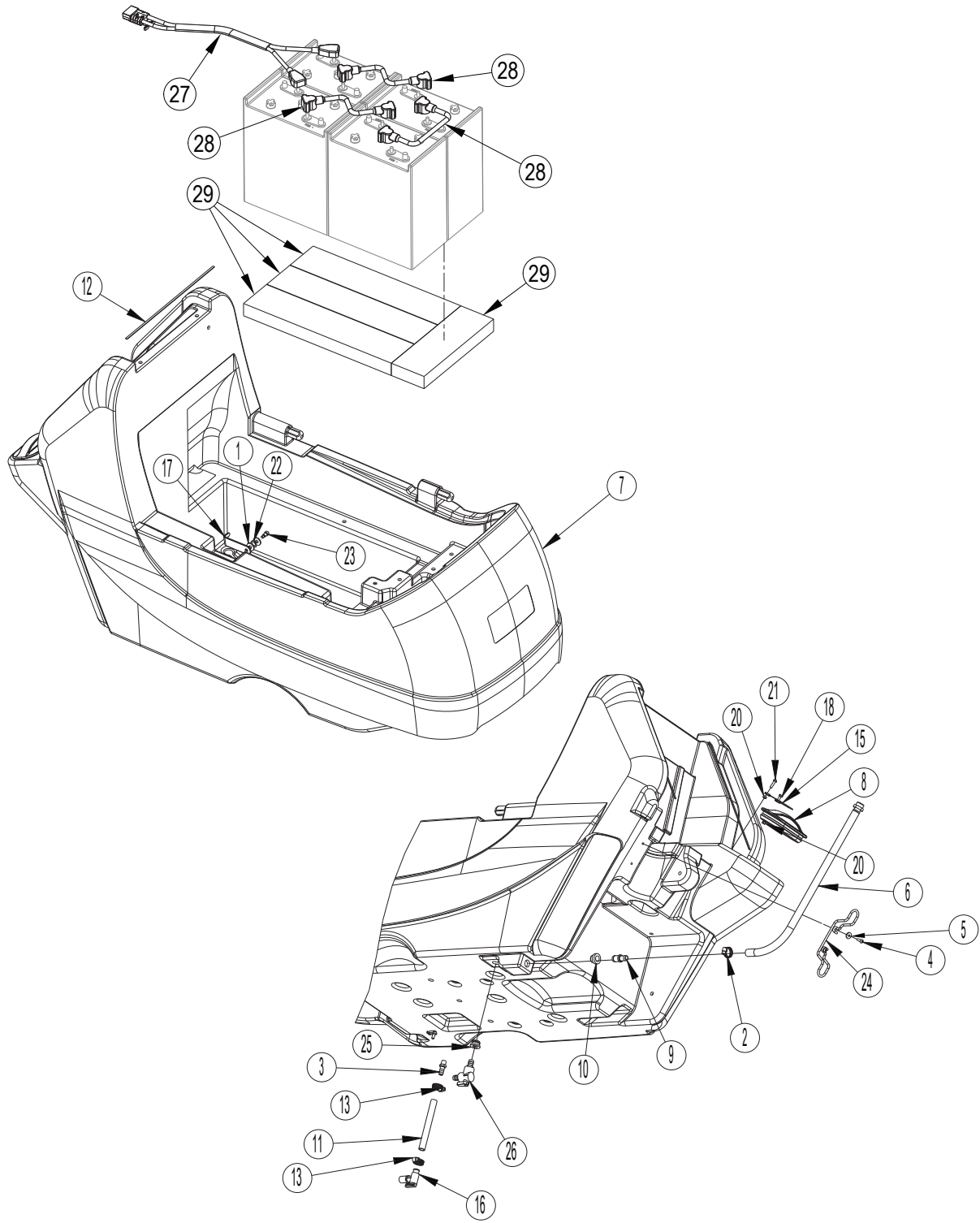
PARTS LIST



2019.03.29

TABLE OF CONTENTS

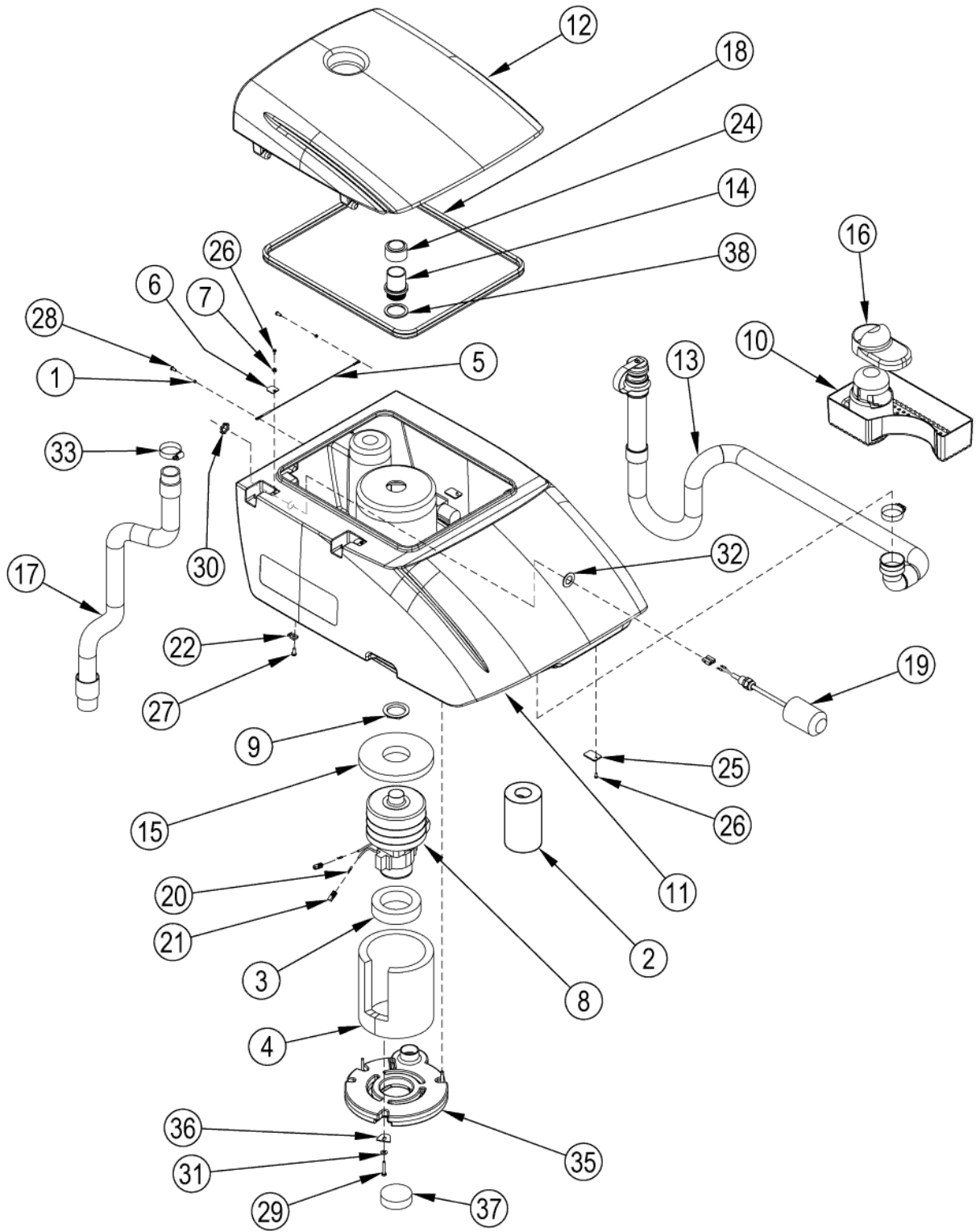
Solution Tank Assembly	1
Recovery Tank Assembly	3
Handle Assembly, Disc and BOOST Models	5
Handle Assembly, Cylindrical Model	7
Electrical Box Assembly	9
Squeegee Holder Assembly	11
Squeegee Assembly, 32,5" - SCRUBTEC 866	13
Squeegee Assembly, 35" - 871, 871C and BOOST 8	15
Squeegee Assembly, 41" - SCRUBTEC 886	17
Frame Assembly	19
Brush Head Assembly, 866	22
Brush Head Assembly, 871	24
Brush Head Assembly, 886	26
Brush Head Assembly Boost 8	28
Brush Head Assembly, 871 C	31
Chemical Mixing Kit	34
RECOMMENDED SPARE PARTS	36
Accessories 1	39
Accessories 2	41
56380210/56380211 - Flex Plate 28/32 Kit	43
11363A - Chemical Mixing System	45



Pos.	Artikel-Nr.	Menge	Variante	Notes
1	56002220	2	WSH FLT CUT 5/16	
2	722030	1	Schlauchselle Nr. 6	
3	820207	1	ADAPTOR	
4	964004	2	SCREW M5X16 PN ST PH	
5	56009096	2	Scheibe zu BR 1000	
6	56384007	1	PVC-Schlauch 1/2x20	[1]
7	30796A	1	TANK SOLUTION	
8	30804A	1	Deckel Frischwasser	
9	30882A	2	CONNECTOR	
10	56116721	2	GROMMET .59X.78X.62IN	
11	34704A	1	Schlauch, Bürste	
12	56383862	3	GASKET-CONTROL PANEL-15.50	
13	50248A	2	Schlauchselle 3/8	
14	52548A	1	Schraube TAB 1/4	
15	54773A	1	LANYARD	
16	59614A	1	Ablassventil, Batterie	
17	61930A	1	Dosierstab Schmutzwassertank	
18	80176A	1	Schraube M5x12 VA	
19	80179A	1	SCREW M6-1 X 16MM PHD PH SS	
20	56003975	2	NUT HEX NYL LOC SS M5-0.8	
21	80205A	1	SCREW M5-.8 X 20MM P.P.HD	
22	80317A	1	WASHER BOWED .455 ID X .740 OD	
23	88630A	1	SCREW SHOULDER M6-1.0 X8X10MM	
24	1466317000	1	SUPPORT CABLE KIT	
25	909 5286 000	1	Dichtung BA 430S	
26	9100000803	1	VALVE ELBOW PKD	
27	56381850	1	Kabelband Batterie	
28	56381852	3	CABLE BATT 16 UNIV POST	
29	56314119	4	SPACER BATTERY	
NS	71496A	1	Aufkleber Nilfisk-ALTO	

Part Notes:

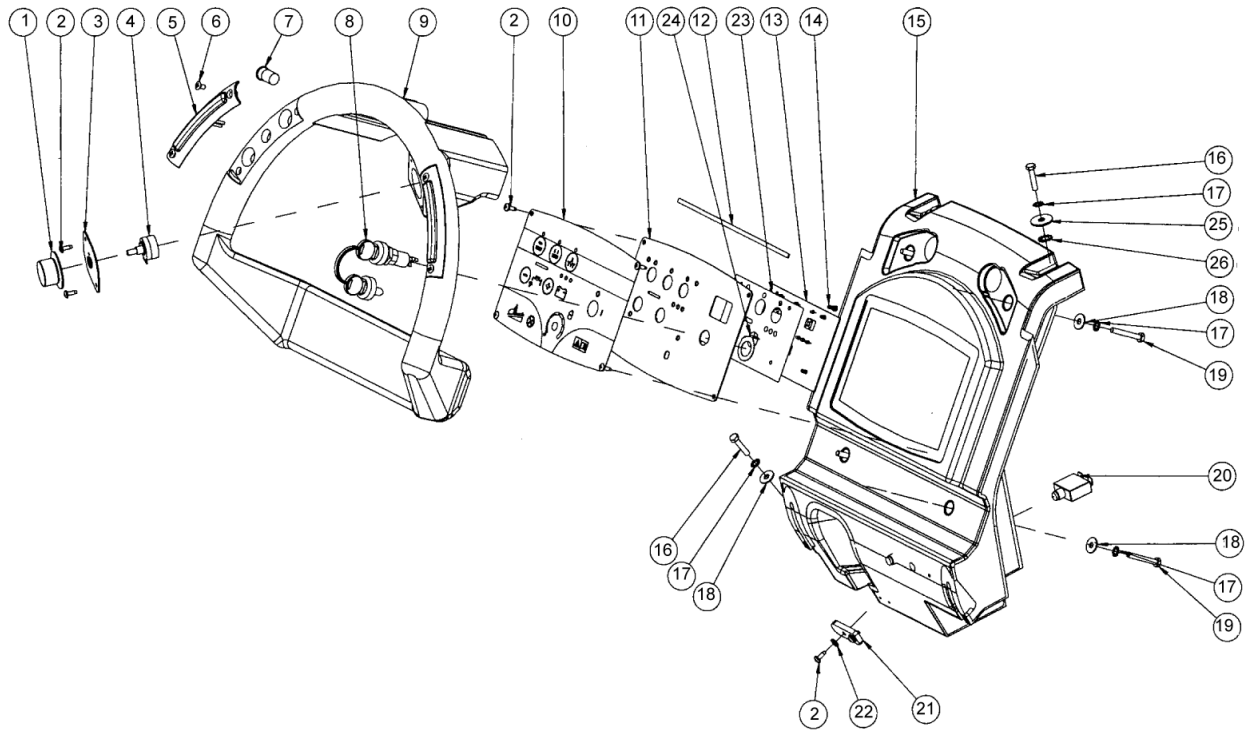
- [1] - For machines built before October 2014 (solution tank will not have level graduations 1/4, 1/2 etc.) order hose part number 30792A for replacement.



Pos.	Artikel-Nr.	Menge	Variante	Notes
01	56151092	2	Bushing	
02	909 6442 000	1	Geräuschkämmung f.	
03	909 6490 000	1	Dichtung	
04	909 6491 000	1	Panel, schalldämpfend	
05	909 6634 000	1	Deckelsicherung	
06	909 6643 000	2	Plättchen	
07	909 6679 000	1	Dichtflansch	
08	9097466000	1	Vacuummotor Kit	
09	185USP	1	NUT DIE CAST ALUM 1-1/2 N	
10	30791A	1	Grobschmutzsieb	
11	30797A	1	TANK RECOVERY	
12	30798A	1	Abdeckung Tank	
13	30799A	1	Ablassschlauch	
14	30805A	1	Rohr	
15	30823A	1	Korb Saugmotor	
16	30827A	1	Deckel, Grobschmutzsieb	
17	30832A	1	Saugschlauch	
18	39718A	1	Dicht. Schmutzwasserdecke	
19	40002A	1	Schwimmerschalter	
20	41809A	2	Steckkontakt	
21	43401A	2	Steckergehäuse (schwarz)	
22	52548A	2	Schraube TAB 1/4	
23	53371A	2	Klemme SchlauchIMAGE16/20	
24	58069A	1	Filter fuer Vacuumrohr	
25	60367A	2	Halteplatte	
26	80057A	4	Schraube M4.7x10 PN SS	
27	80208A	2	Schraube M6x1,0 x 10mm	
28	80363A	2	Schraube M5.8x12 BT	
29	56003420	3	SCR HEX M6-1.0 X 35MM	
30	82100A	1	Sicherungsmutter,	
31	87026A	3	Scheibe .250	[1]
32	87612A	1	Dichtung, Scheibe,	
33	54774A	2	Schlauchschelle	
34	699202	2	Band, Draht 935A	
35	909 6051 000	1	Abdeckhaube f. Motor	
36	909 6638 000	3	Platte für Deckel	
37	56344168	1	Filter	
38	187B	1	WASHER FLAT 1-3/4 ID X 2-1	
NS	71447A	2	Aufkleber SCRUBTEC 866	
NS	71449A	2	LABEL SCRUBTEC 871 C	[2]
NS	71450A	2	Label SCRUBTEC 886	
NS	71448A	2	Etikett	
NS	71451A	2	LABEL SCRUBTEC BOOST 8	

Part Notes:

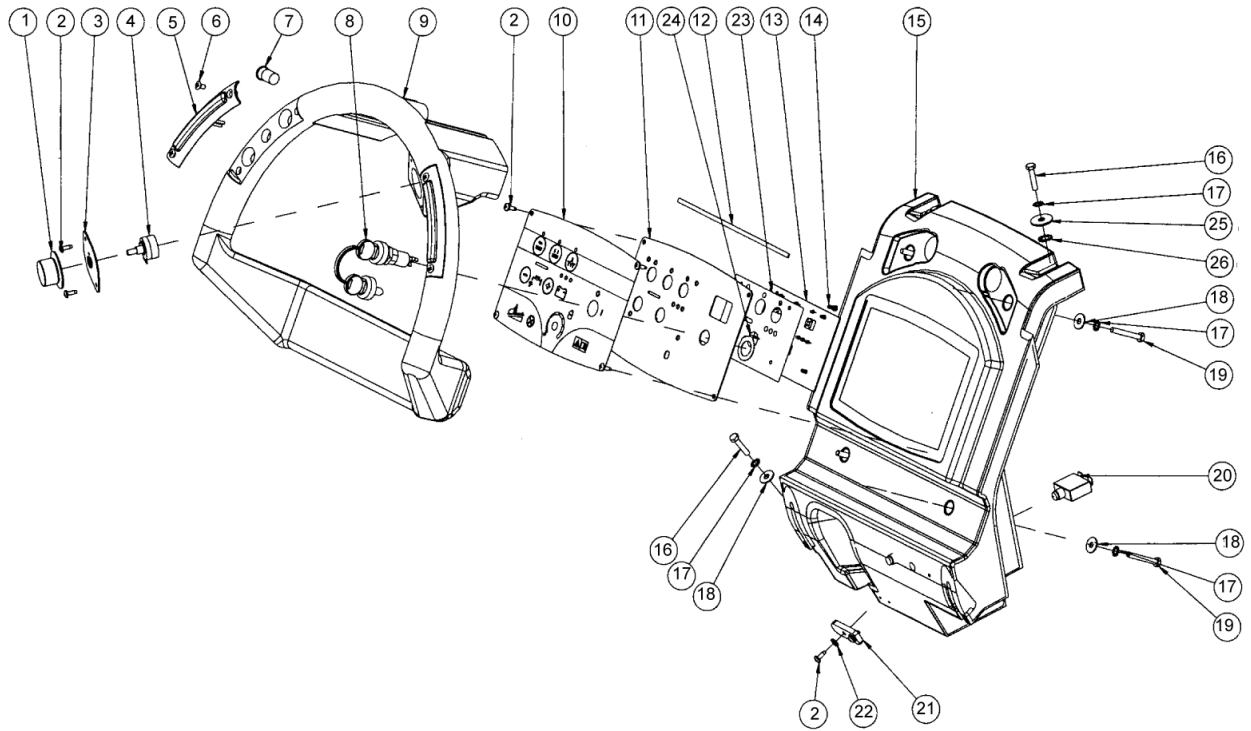
- [1] - EXPIRED USE 56002859
[2] - EXPIRED NO REPLACEMENT



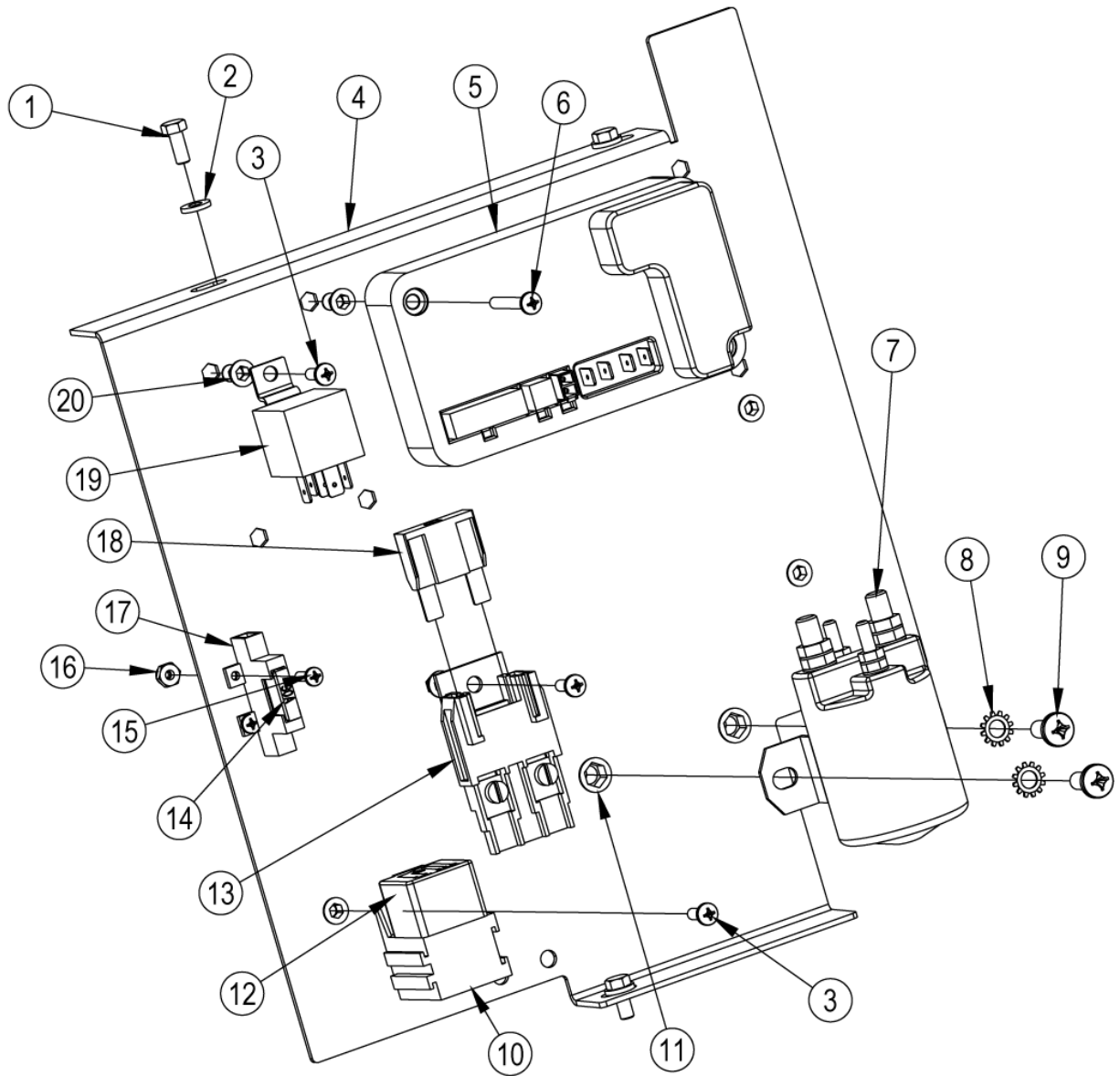
Pos.	Artikel-Nr.	Menge	Variante	Notes
01	50962A	1	Bedienknopf	
02	962957	10	Schraube Nr. 10-16X	
03	61922A	1	PLATE POTENTIOMETER	
04	41078A	1	Kabelbaum, Traverse	
05	11131A	2	Handflächenschalter	
06	80192A	4	Schraube M5x0,8 x 16mm	
07	52556A	1	Tastschalter rückwärts	
08	146 2887 000	1	Schlüssel (2 Stück)	[1]
08	9100001354	1	SWITCH KEY WITH CAP PKD	
09	30785A	1	Handgriff Steuerung	
10	71425A	1	Aufkleber, Bedienelement	[2]
11	61929A	1	Bedienfeld	
12	39886A	1	Dichtung 13.50 Bedienfeld	
13	56382501	1	FUNCTION BOARD SERVICE KIT	
13	41067A	1	Platine, Bedienelement	
14	50267A	4	SCREW 8-32 X 3/8 NYLON	
15	30784A	1	HOUSING CONTROL	
16	56003175	4	SCR-HEX THD TO HD M6-1 X 30MM	
17	980614	8	U-Scheibe	
18	87007A	6	Scheibe - Exzenter-	
19	56003631	4	SCR HEX M6-1.0 X 45MM	
20	41431B	2	Schutzschalter 35A thermi	
21	39888A	1	ABLASS-SCHLAUCHHALTERUNG	
22	980643	2	7/16ODX.036THK Unterlegsc	
23	30831A	1	INSULATOR MYLAR	
24	61948A	1	WASHER TAB GROUND	
25	980205	2	Scheibe	
26	980666	2	Klemmring 3/8 (10)	
NS	56469382	1	TERM. 250 INS. TAB	
NS	41063A	1	HARNES KEY SWITCH	

Part Notes:

- [1] - replacement key
 [2] - SEE TSB--CL 2010--33TSB-CL 2010-33 panel sealing



Pos.	Artikel-Nr.	Menge	Variante	Notes
01	50962A	1	Bedienknopf	
02	962957	10	Schraube Nr. 10-16X	
03	61922A	1	PLATE POTENTIOMETER	
04	41078A	1	Kabelbaum, Traverse	
05	11131A	2	Handflächenschalter	
06	80192A	4	Schraube M5x0,8 x 16mm	
07	52556A	1	Tastenschalter rückwärts	
08	9100001354	1	SWITCH KEY WITH CAP PKD	
09	30785A	1	Handgriff Steuerung	
10	71484A	1	LABEL CONTROL PANEL CYL	
11	61929A	1	Bedienfeld	
12	39886A	1	Dichtung 13.50 Bedienfeld	
13	41067A	1	Platine, Bedienelement	
13	56382501	1	FUNCTION BOARD SERVICE KIT	
14	50267A	4	SCREW 8-32 X 3/8 NYLON	
15	30784A	1	HOUSING CONTROL	
16	56003175	4	SCR-HEX THD TO HD M6-1 X 30MM	
17	980614	8	U-Scheibe	
18	87007A	6	Scheibe - Exzenter-	
19	56003631	4	SCR HEX M6-1.0 X 45MM	
20	41422B	2	Schutzschalter, 25A SCR.	
21	39888A	1	ABLASS-SCHLAUCHHALTERUNG	
22	980643	2	7/16ODX.036THK Unterlegsc	
23	30831A	1	INSULATOR MYLAR	
24	61948A	1	WASHER TAB GROUND	
25	980205	2	Scheibe	
26	980666	2	Klemmring 3/8 (10)	
NS	41063A	1	HARNESS KEY SWITCH	
NS	56469382	1	TERM. 250 INS. TAB	



Pos.	Artikel-Nr.	Menge	Variante	Notes
01	80249A	3	6-kantschraube M5x0,8x12	
02	980643	3	7/16ODX.036THK Unterlegsc	
03	185USP	3	NUT DIE CAST ALUM 1-1/2 N	
04	61933A	1	PLATE ELECTRICAL	
05	41068B	1	Steuergerät	
06	80380A	2	SCREW 8-32 X 1-1/4 PH	
07	56412179	1	CONTACTOR 24 VDC	
08	980614	2	U-Scheibe	
09	85391A	2	Schraube 1/4-20X5/8 PN SY	[1]
10		1	Relay Holder included in 41061A Harness	[2]
11	54764A	2	INSERTHEX 1/4-20 UNC ENCORE	
12	41075A	1	Relais Saugmotor	[3]
13		1	Fuse Holder included in 41061A Harness	[4]
14	41073A	1	Sicherung 30A,	[5]
15	962979	2	Schrauben 32X 1/2	
16	920056	2	Mutter 6x32	[6]
17		1	Fuse Holder included in 41061A Harness	[4]
18	41074A	1	Sicherung 60A	[7]
19	41069B	1	Relais-24VDC MINI ISO	
20	54763A	7	INSERTHEX 8-32 UNC ENCORE	
NI	41065B	1	Traverse f. Kabelbaum	[8]
NI	41061A	1	Kabelbaum Maschine	[9]

Part Notes:

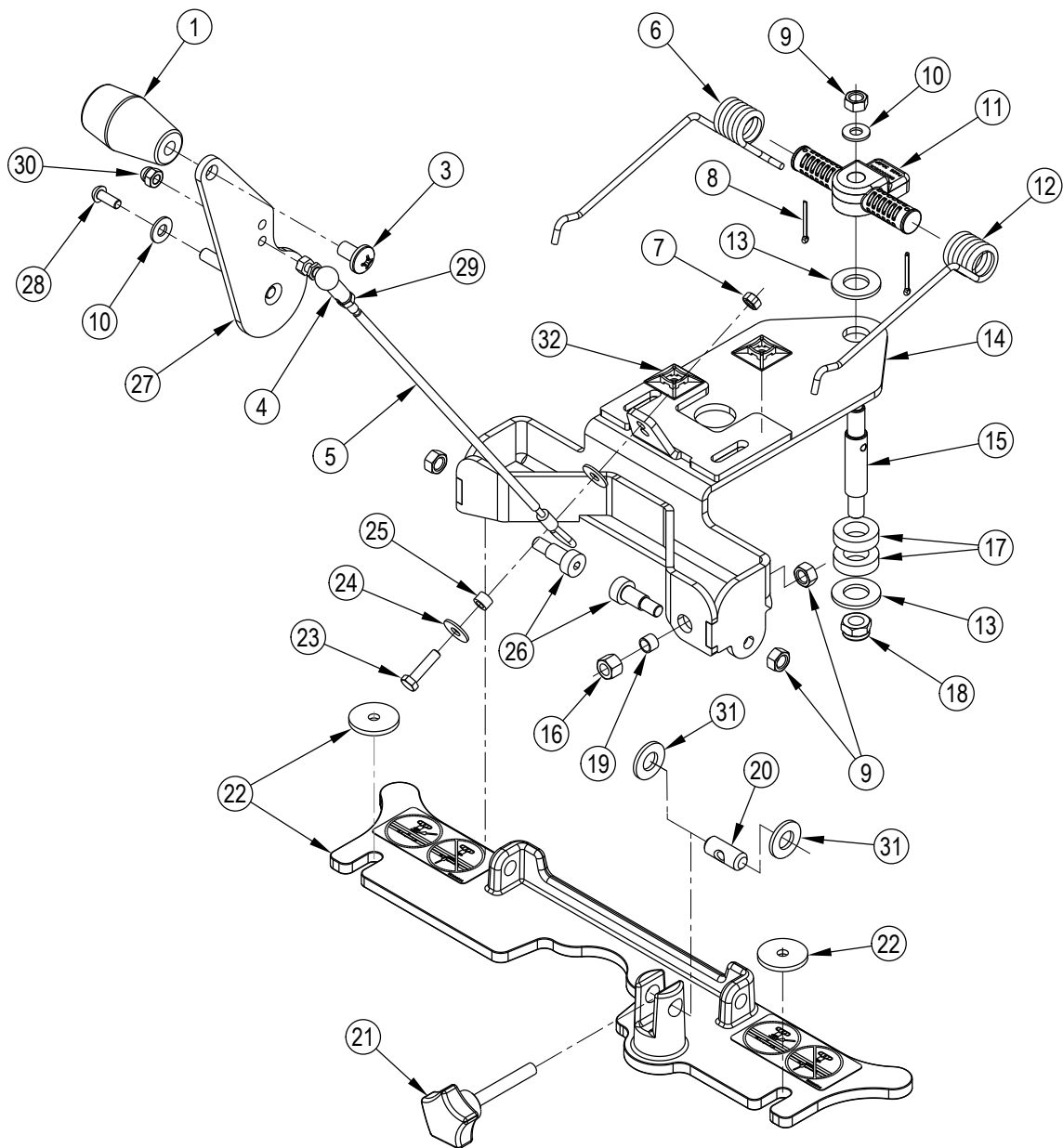
- [1] - EXPIRED USE 56002066
- [2] - Relay Holder included in 41061A Harness
- [3] - (Vacuum)
- [4] - Fuse Holder included in 41061A Harness
- [5] - (Vacuum / see WARNING below)

WARNING: To reduce the risk of fire, when replacing fuse, replace only with same type and rating of fuse that comes with machine.

- [6] - EXPIRED USE 16USP
- [7] - (Traverse Motor / see WARNING below)

WARNING: To reduce the risk of fire, when replacing fuse, replace only with same type and rating of fuse that comes with machine.

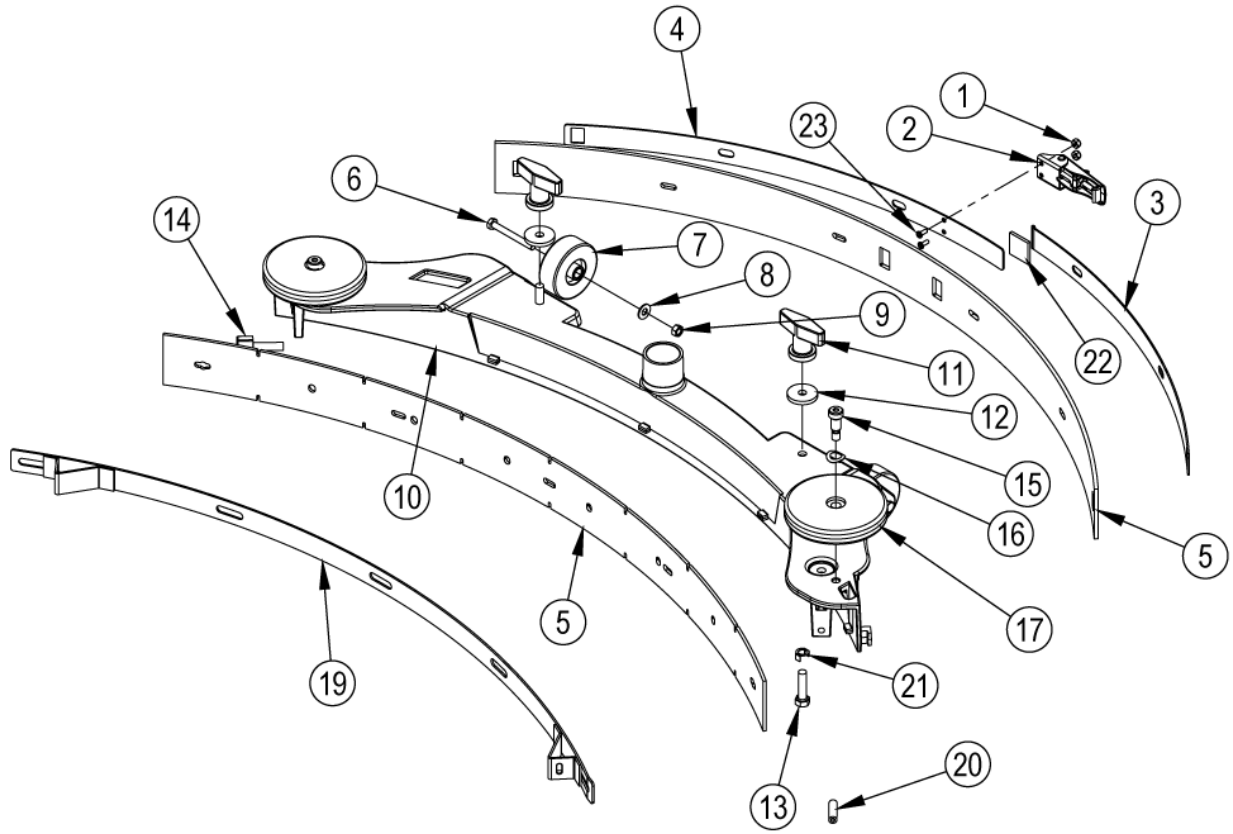
- [8] - Harness Traverse
- [9] - Harness, Machine



Pos.	Artikel-Nr.	Menge	Variante	Notes
1	52557A	1	Drehknopf, Saugfuß-	
3	85389A	1	Sechskantschraube	
4	145 8479 000	1	Kugelgelenk M 6-10521	
5	9097366000	1	Seilzug f. Absaugleiste	
6	909 6537 000	1	Feder	
7	80199A	1	NUT M6-1 HEX NYLON LOCK S.S.	
8	925044	2	PIN-3/32X1 COTTER	
9	80198A	4	Mutter M8-1.25 HEX Nylon	
10	56001939	2	Flachdichtung 5/16	
11	9100000515	1	SUPPORT SQUEEGEE SPRING PKD	
12	909 6538 000	1	Feder	
13	87613A	2	Scheibe 5/8"	
14	56112770	1	PLATE-SQUEEGEE WELDT	
15	909 6497 000	1	Bolzen	
16	56003352	1	NUT HEX M8	
17	38708A	2	Distanzstück, Bürstenende	
18	80223A	1	NUT M10-1.5 NYLOCK	
19	L08602422	1	Hülse 8x10x7	
20	L08601509	1	Kontermutter	
21	54699A	1	Drehknopf M8x55	
22	56384513	1	SQUEEGEE BRACKET KIT	[1]
23	964054	1	SCR M 6.0X1.0 X 25 HX ST	
24	87007A	2	Scheibe - Exzenter-	
25	1467037000	1	SPACER 6.1X10X6.5 PKD	
26	9100001160	2	SCREW SHOUL 10X16 M8 ISO7379 10 PCS SET	
27	61952A	1	Schwenkhebel	
28	80179A	1	SCREW M6-1 X 16MM PHD PH SS	
29	80171A	1	NUT M6-1 HEX	
30	88640A	1	NUT M6-1 ACORN ZINC PLATED	
31	80424A	2	Scheibe	
32	909 6635 000	2	Halteplatte	

Part Notes:

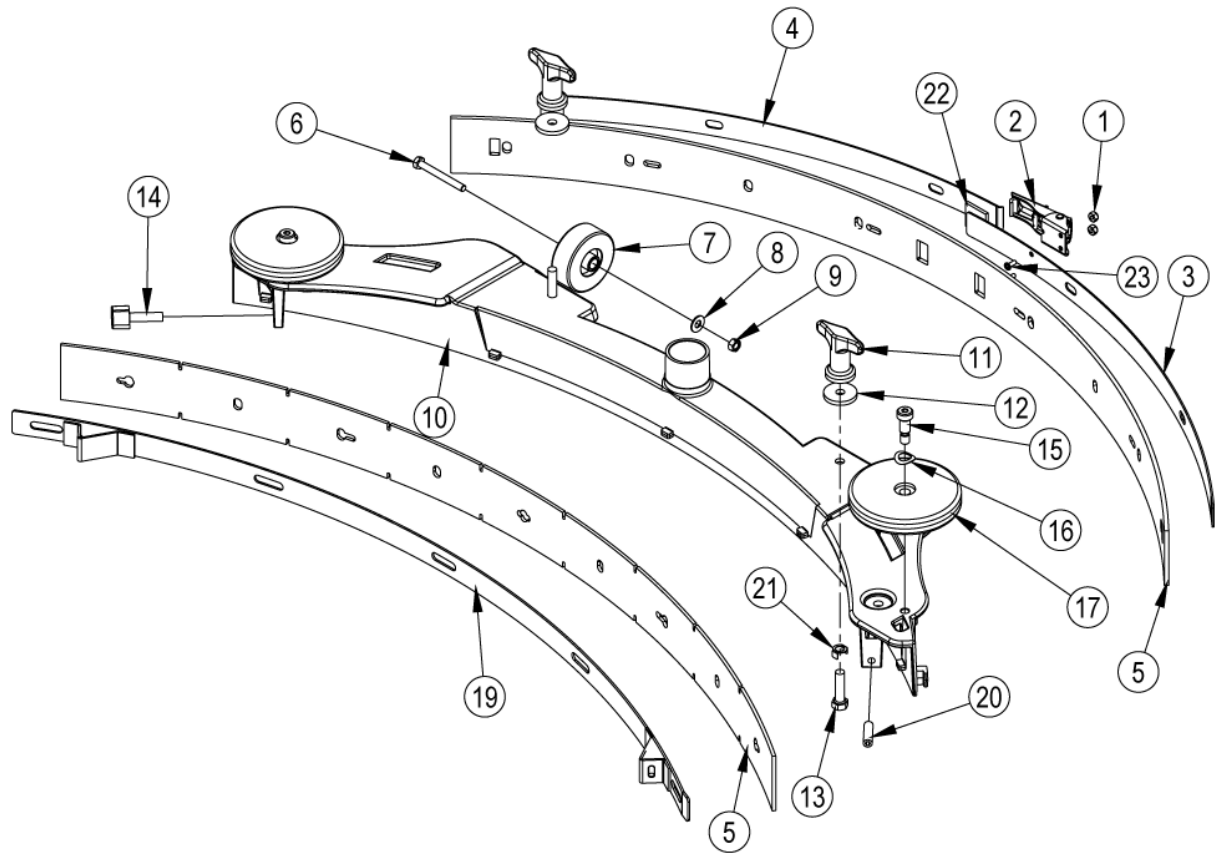
[1] - TSB-FC-2014-031 Squeegee Brackets Breaking



Pos.	Artikel-Nr.	Menge	Variante	Notes
00	10398A	1	Saugfuß kpl. 32,5	[1]
1	83009A	2	Hohlniete 5/32	
1	56002907	2	NUT HEX NYL LOC SS 6-32	
2	9098321000	1	LATCH SQUEEGEE	
3	9097356000	1	BAND. SAUGLEISTE HINTEN LI. 32.5	
4	9097357000	1	BAND. SAUGLEISTE HINTEN RE. 32.5	
5	11333A	1	Sauglippen Set 32,5 Urethan	[2]
6	88629A	2	Sechskantschraube	
7	909 6883 000	2	Stützrad zu BA 451	
8	87026A	2	Scheibe .250	[3]
9	80199A	2	NUT M6-1 HEX NYLON LOCK S.S.	
10	29927A	1	Rahmen, Saugfuß 32.5	[4]
11	56370711	1	Mutter	
12	56384502	2	WASHER-POLYURETHANE-1.25	[5]
13	56003302	2	Schraube 5/16-18	
14	54647A	1	Knopf M8X30 SS	
15	88609A	2	Schraube 5/16-18 x 3/8 X 5/8 SHBS	
16	80317A	2	WASHER BOWED .455 ID X .740 OD	
17	30048A	2	Rolle 100 x 10-Nabe	
18	30817U	1	Sauglippe vorne/innen,	
19	60465A	1	Riemen Saugleiste Front	
20	88632A	1	Schraubensatz	
21	60564A	2	SHIM SQUEEGEE KNOB	
22	39717A	1	Teller, Saugleiste	
23	56002909	2	SCR PAN PHL SS6-32X38	

Part Notes:

- [1] - Squeegee Assembly includes Urethane blades.
- [2] - Squeegee Blade Kit includes both front and rear squeegee blades.
- [3] - EXPIRED USE 56002859
- [4] - The squeegee frame is not available for sale. If you need to replace the squeegee frame please order the entire squeegee assembly 10398A.
- [5] - Polyurethane Washer 56384502 is used on machines after October 2015 and is also part the Squeegee Bracket Kit 56384513. Refer to TSB-FC-2014-031 for machines built before November 2015.



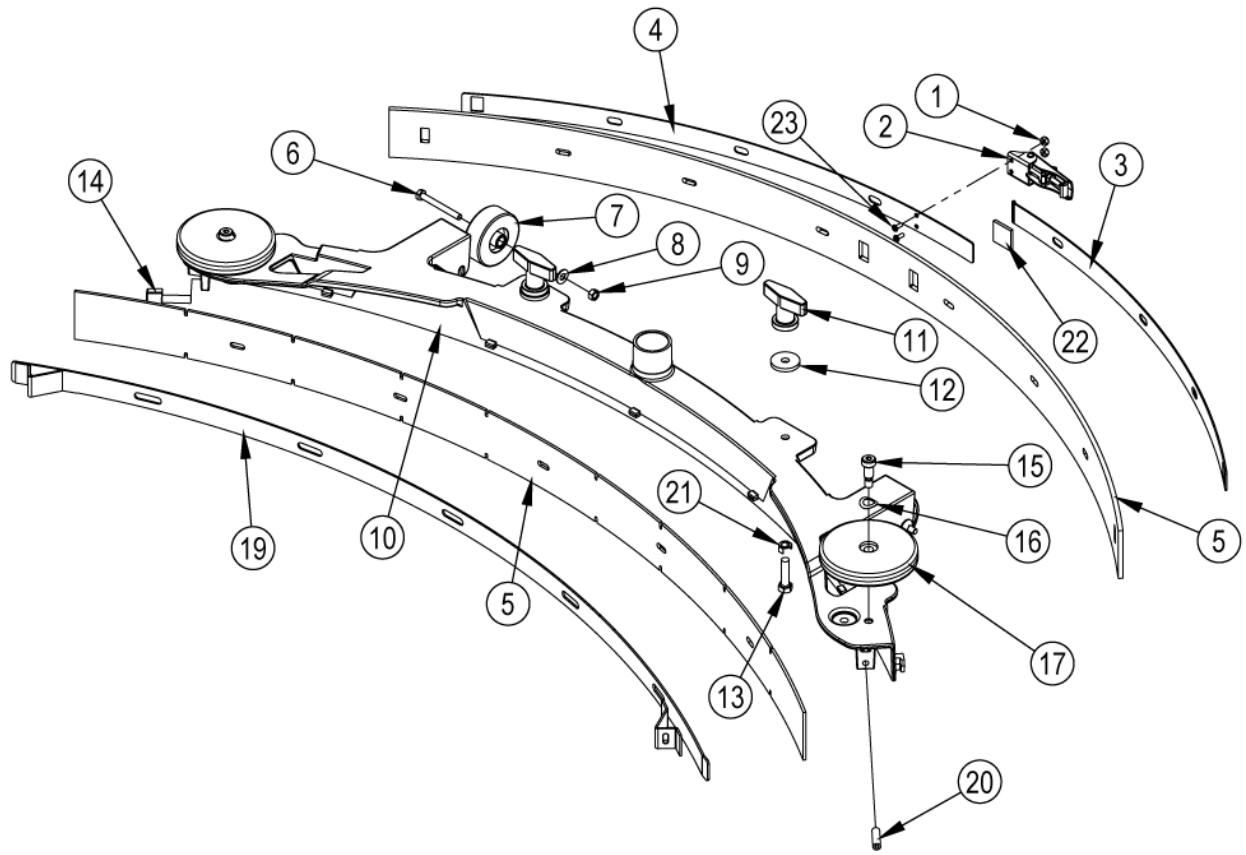
Pos.	Artikel-Nr.	Menge	Variante	Notes
00	10399A	1	Saugfuß kpl. 35	[1]
1	83009A	2	Hohlniete 5/32	
1	56002907	2	NUT HEX NYL LOC SS 6-32	
2	9098321000	1	LATCH SQUEEGEE	
3	9097361000	1	STRAP SQUEEGEE LEFT REAR 35	
4	9097362000	1	STRAP SQUEEGEE RIGHT REAR 35	
5	11332A	1	Sauglippen Set 35 Urethan	[2]
6	88629A	2	Sechskantschraube	
7	909 6883 000	2	Stützrad zu BA 451	
8	87026A	2	Scheibe .250	[3]
9	80199A	2	NUT M6-1 HEX NYLON LOCK S.S.	
10	29928A	1	FRAME SQUEEGEE 35	[4]
11	9098257000	2	Flügelmutter	
12	56384502	2	WASHER-POLYURETHANE-1.25	[5]
13	56003302	2	Schraube 5/16-18	
14	54647A	1	Knopf M8X30 SS	
15	88609A	2	Schraube 5/16-18 x 3/8 X 5/8 SHBS	
16	80317A	2	WASHER BOWED .455 ID X .740 OD	
17	30048A	2	Rolle 100 x 10-Nabe	
18	30818U	1	BLADE URETHANE FRONT 35	
19	60466A	1	STRAP SQUEEGEE FRONT 35	
20	88632A	1	Schraubensatz	
21	60564A	2	SHIM SQUEEGEE KNOB	
22	39717A	1	Teller, Saugleiste	
23	56002909	2	SCR PAN PHL SS6-32X38	

Part Notes:

- [1] - Squeegee Assembly includes Urethane blades.
- [2] - EXPIRED USE 56112332

Squeegee Blade Kit includes both front and rear squeegee blades.

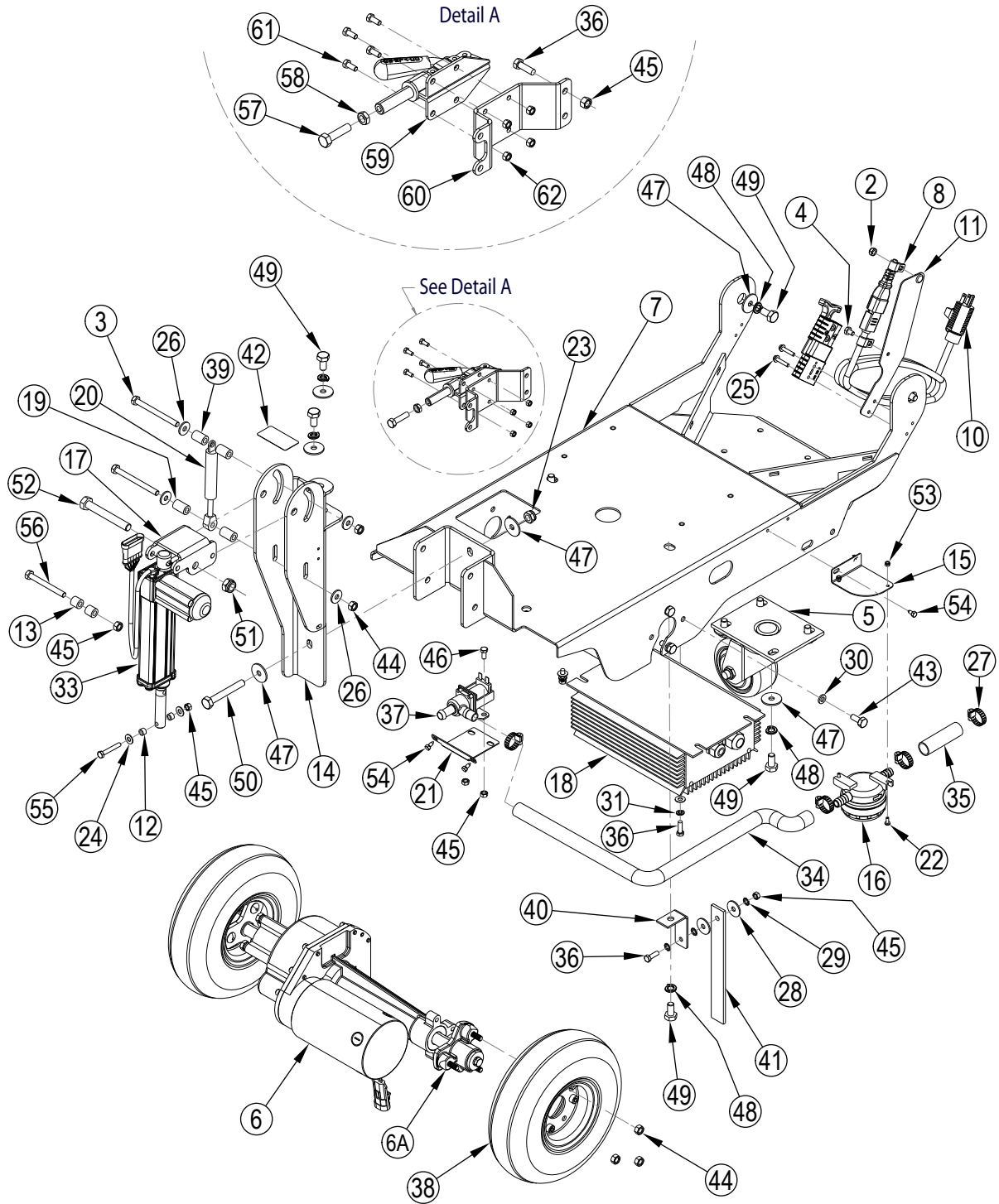
- [3] - EXPIRED USE 56002859
- [4] - The squeegee frame is not available for sale. If you need to replace the squeegee frame please order the entire squeegee assembly 10398A.
- [5] - Polyurethane Washer 56384502 is used on machines after October 2015 and is also part the Squeegee Bracket Kit 56384513. Refer to TSB-FC-2014-031 for machines built before November 2015.



Pos.	Artikel-Nr.	Menge	Variante	Notes
00	10748A	1	Saugfuß kpl. 42	[1]
1	83009A	2	Hohlniete 5/32	
1	56002907	2	NUT HEX NYL LOC SS 6-32	
2	9098321000	1	LATCH SQUEEGEE	
3	9097375000	1	Band, Saugleiste rechts	
4	9097376000	1	Band, Saugleiste links	
5	56115335	1	SQUEEGEE KIT-BLADE-PU	[2]
6	88629A	2	Sechskantschraube	
7	909 6883 000	2	Stützrad zu BA 451	
8	87026A	2	Scheibe .250	[3]
9	80199A	2	NUT M6-1 HEX NYLON LOCK S.S.	
10	29929A	1	Rahmen Aufnahme Gummilippe 41	[4]
11	56370711	2	Mutter	
12	56384502	2	WASHER-POLYURETHANE-1.25	[5]
13	56003302	2	Schraube 5/16-18	
14	54647A	1	Knopf M8X30 SS	
15	88609A	2	Schraube 5/16-18 x 3/8 X 5/8 SHBS	
16	80317A	2	WASHER BOWED .455 ID X .740 OD	
17	30048A	2	Rolle 100 x 10-Nabe	
18	56115329	1	BLADE-SQGEE-PU-FR	
19	60546A	1	Befestigungsleiste	
20	88632A	1	Schraubensatz	
21	60564A	2	SHIM SQUEEGEE KNOB	
22	39717A	1	Teller, Saugleiste	
23	56002909	2	SCR PAN PHL SS6-32X38	

Part Notes:

- [1] - Squeegee Assembly includes Urethane blades.
- [2] - Squeegee Blade Kit includes both front and rear squeegee blades.
- [3] - EXPIRED USE 56002859
- [4] - The squeegee frame is not available for sale. If you need to replace the squeegee frame please order the entire squeegee assembly 10398A.
- [5] - Polyurethane Washer 56384502 is used on machines after October 2015 and is also part the Squeegee Bracket Kit 56384513. Refer to TSB-FC-2014-031 for machines built before November 2015. TSB-FC-2014-031 Squeegee Brackets Breaking

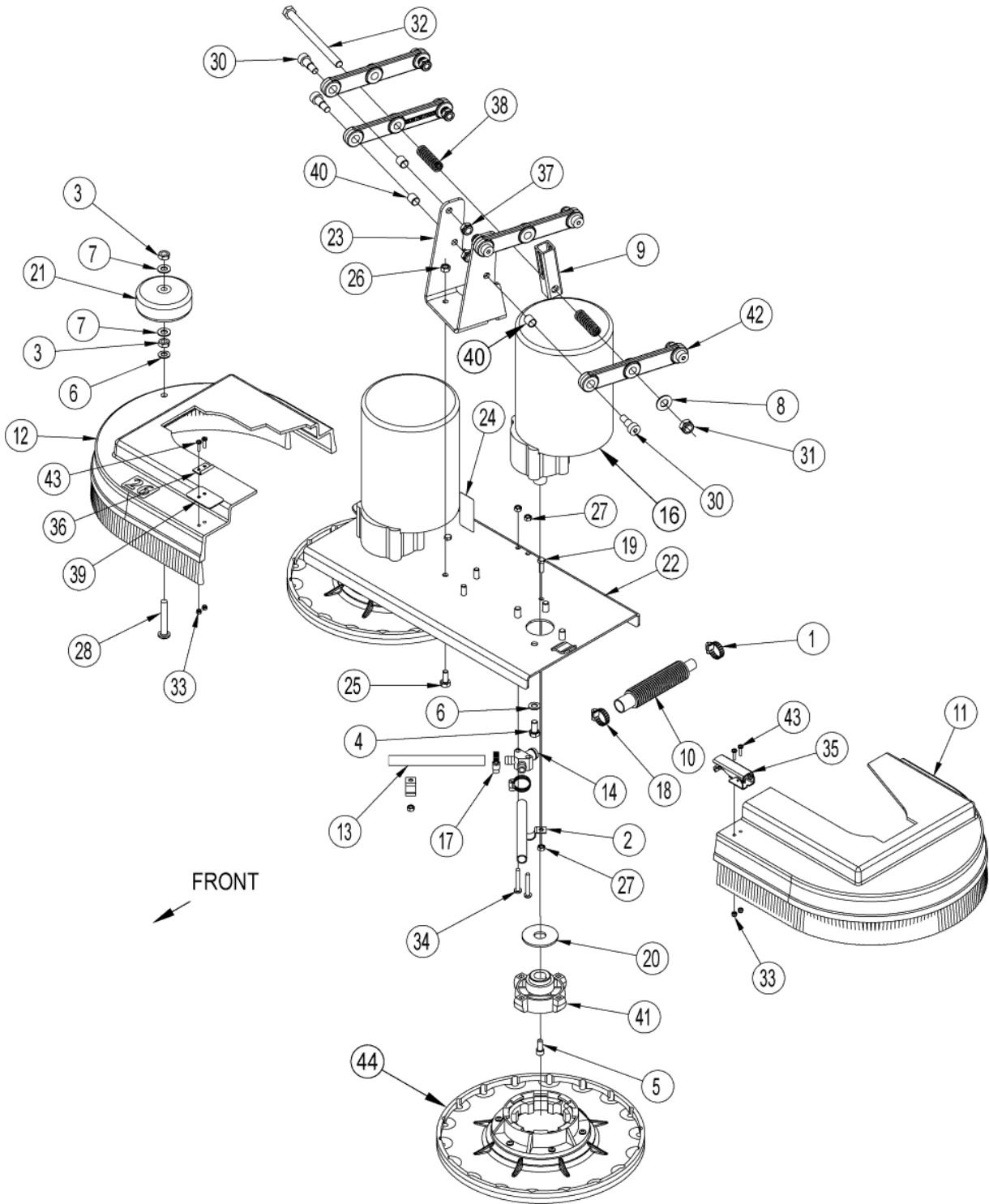


Pos.	Artikel-Nr.	Menge	Variante	Notes
			Note:	[1]
1	699202	3	Band, Draht 935A	
2	56002840	1	Nut 1/4 20	
3	56003390	2	Schraube, HEXM8x1,25x90mm	
4	56009019	1	Schraube 1/4-20x.38	
5	56112308	1	Lenkrolle	
6	56381750	1	Getriebe Scrubtec 8	
6	40628A	1	Kohlebürste	
6	56382670	1	KIT TRANSAXLE MOTOR	[2]
6A	56380158	2	Flanschkit	
7	56112765	1	CHASSIS WELDT	
8	56323260	2	Kabelbriede zu BR 1000	
9	56381749	1	Adapter Getriebe	
10	40289A	1	CORD CHARGER AUSTRALIAN	[3]
10	56383388	1	Ladegerät	[4]
11	56383386	1	POWER CORD BRACKET	
12	1467037000	2	SPACER 6.1X10X6.5 PKD	
13	909 6112 000	2	SPACER D.8.2X15 H.14 GALV.	
14	9097368000	1	Hubunterstützung	
15	9097370000	1	PLATE SUPPORT FILTER GALV.	
16	9097404000	1	Wasserfilter	
17	9097456000	1	Hebel	
18	9099679000	1	Einbauladegerät 24V-25A 230V	
19	909 6113 000	2	SPACER 8.2X15 H.23.8 GALV.	
20	54689a	1	GAS SPRING 500N	
21	61932A	1	PLATE SOLUTION SYSTEM SUPPORT	
22	80057A	2	Schraube M4.7x10 PN SS	
23	80223A	1	NUT M10-1.5 NYLOCK	
24	87026A	6	Scheibe .250	[5]
25	88641A	2	SCREW M5 X 25MM HEX TRILOBE	
26	56002220	4	WSH FLT CUT 5/16	
27	722030	4	Schlauchschelle Nr. 6	
28	980205	2	Scheibe	
29	980614	3	U-Scheibe	
30	980652	7	Scheibe LK 5/16 REG	
31	980657	4	Scheibe 1/4 STD	
32		1	Intentionally Omitted	
33	9100000680	1	ACTUATOR LINEAR 24V DC STRK 100MM PKD	
33	40280A	1	ACTUATOR BOOST 32	
34	30828A	1	Schlauch	
35	30829A	1	Schlauch	
36	57994A	5	SCREW M6 X 20 HEX HD	
37	59789A	1	Magnetventil, Frisch-)	
38	60580A	2	Rad	[6]
39	61937A	2	SPACER	
40	61949A	1	BRACKET GROUND STRAP	
41	69639A	1	Statikband (FUSION)	
42	71017A	1	Aufkleber	
43	56003179	7	Schraube HEX THD/HD M8-1,	
44	80198A	9	Mutter M8-1.25 HEX Nylon	
45	80199A	4	NUT M6-1 HEX NYLON LOCK S.S.	
46	56003155	2	Schraube HEX M6 1.0x12mm	
47	87054A	11	Dichtungsscheibe .375	
48	88612A	10	WASHER M10 LOCK	
49	56003483	10	SCR-HEX M10-1.5 X 20MM	
50	88616A	1	SCREW M10-1.5 X 75MM HEX	
51	88618A	1	Mutter M12	[7]
52	88620A	1	SCREW M12-1.75 X 90MM HEX	
53	88623A	2	Mutter M4	

Pos.	Artikel-Nr.	Menge	Variante	Notes
54	88624A	4	SCREW M5 X 12MM HEX TRILOBE	
55	88626A	1	SCREW M6-1 X 40MM HEX	
56	88635A	1	SCREW M8-1.25 X 75MM HEX	
57	962157	1	Schraube 5/16-18X1&1/4	[8]
58	920160	1	NUT-5/16-18 HEX JAM	[8]
59	54772A	1	CLAMP TOGGLE STRAIGHT LINE	[8]
60	61934A	1	BRACKET BRAKE	[8]
61	80249A	4	6-kantschraube M5x0,8x12	[8]
62	56003975	4	NUT HEX NYL LOC SS M5-0.8	[9]
	41062A	1	HARNES CHRG JUMPER	[10]
	40512B	1	CHARGER BATTERY 24VDC 25A OUT	[11]
	40297A	1	CABLE CHARGER ADAPTER	[10]

Part Notes:

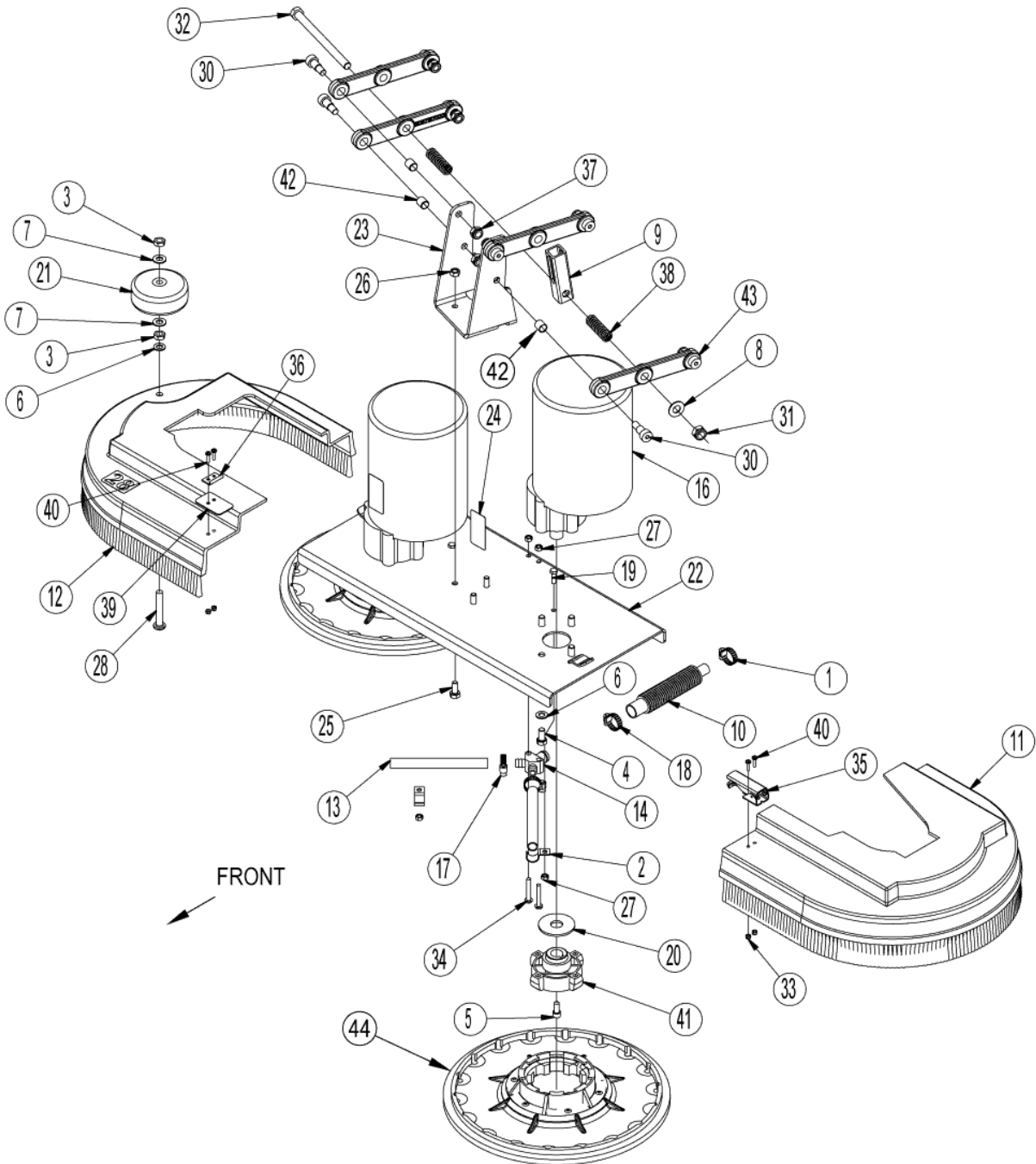
- [1] - NOTE 1: Only used on models with on-board charger. NOTE 2: Only used on models without on-board charger. NOTE 3: Transaxle 56380160 is obsolete and replaced by Transaxle Kit 56381750 NOTE 4: Optional Brake Kit 56112221 NOTE 5: See TSB-CL 2010-25 Transaxle and Wheel assembly
- [2] - Transaxle 56380160 is obsolete and replaced by Transaxle Kit 56381750
 TSB-CL 2010-25 Transaxle and Wheel assembly
 TSBCL2009-02
- [3] - Only used on model 56380673.
- [4] - NOTE 1 / TSB-FC-2013-123
- [5] - EXPIRED USE 56002859
- [6] - NOTE 5 / TSBCL2010-25
- [7] - EXPIRED USE 56003312
- [8] - NOTE 4
- [9] - NOTE 2
 NOTE 4
- [10] - NOTE 2
- [11] - EXPIRED USE 56383075
 NOTE 2



Pos.	Artikel-Nr.	Menge	Variante	Notes
01	722030	1	Schlauchschelle Nr. 6	
02	782002	2	Klemme-Anschlussstück	
03	920248	2	Mutter 3/8-16	[1]
04	962244	8	Bolzen 3/8 16 X HHCS	[2]
05	962714	2	Schraube 5/16-18X 3/4	
06	980638	9	Federscheibe 3/8	[3]
07	980645	2	Scheibe 3/8	[4]
08	980648	1	Scheibe 17/32 PHILL X	[5]
09	56109717	1	TUBE JACK MOTOR	
10	30412A	1	Saugschlauch	
11	30661A	1	Bürstenabdeckung links	
12	30662A	1	Bürstenabdeckung rechts	
13	34705A	2	Schlauch, Bürste	
14	38014A	1	Verteiler, Frischwasser	
15	40645A	4	Gehäuse mit Flachstecker	
16	44809B	2	Motor Bürste	
17	50248A	2	Schlauchschelle 3/8	
18	53571A	1	Schlauchschelle	
19	57994A	2	SCREW M6 X 20 HEX HD	
20	59856A	2	Flachscheibe Gummi,	
21	59950A	1	Rad, kpl., Antrieb	
22	61925A	1	Bürstenteller 26	
23	61926A	1	Kopfhalterung f. Anheber	
24	71017A	2	Aufkleber	
25	56003179	3	Schraube HEX THD/HD M8-1,	
26	80198A	3	Mutter M8-1.25 HEX Nylon	
27	80199A	4	NUT M6-1 HEX NYLON LOCK S.S.	
28	85610A	1	Schraube .375-16 X 2,50	
30	88617A	8	Schraube M10	
31	88618A	1	Mutter M12	[6]
32	88619A	1	Schraube M12	
33	88623A	4	Mutter M4	
34	88627A	2	SCREW M6 X 40MM PAN	
35	56115427	1	LATCH ASSEMBLY	
36	55451A	1	Bürstenhalter, Gehäuse	
37	80223A	8	NUT M10-1.5 NYLOCK	
38	E04016	2	SPRING	
39	69186A	1	Lasche, Verriegelung,	
40	56112548	8	BUSHING	
41	56382665	2	Kardanring	
42	56382618	4	Hebelkit	
43	964002	4	Schraube 4.0X0.7 X 16	
44	38035A	2	Padhalter 330 mm	

Part Notes:

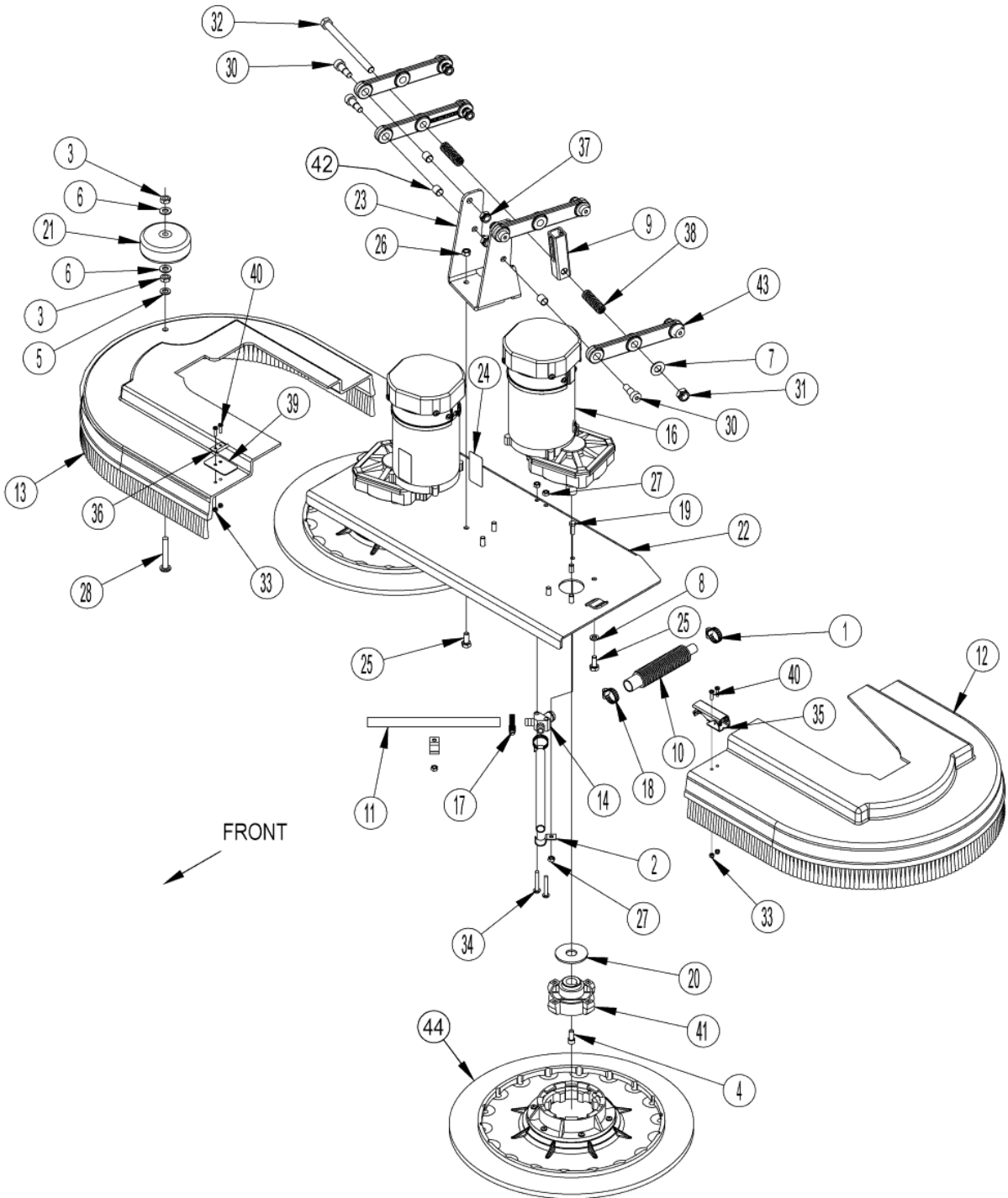
- [1] - EXPIRED USE 56002841
- [2] - EXPIRED USE 56002127
- [3] - EXPIRED USE 2-00-02310
- [4] - EXPIRED USE 56002063
- [5] - EXPIRED USE 56001879
- [6] - EXPIRED USE 56003312



Pos.	Artikel-Nr.	Menge	Variante	Notes
01	722030	1	Schlauchschelle Nr. 6	
02	782002	2	Klemme-Anschlussstück	
03	920248	2	Mutter 3/8-16	[1]
04	962244	8	Bolzen 3/8 16 X HHCS	[2]
05	962714	2	Schraube 5/16-18X 3/4	
06	980638	9	Federscheibe 3/8	[3]
07	980645	2	Scheibe 3/8	[4]
08	980648	1	Scheibe 17/32 PHILL X	[5]
09	56109717	1	TUBE JACK MOTOR	
10	30412A	1	Saugschlauch	
11	30574A	1	Bürstegehäuse links Scr	
12	30575A	1	Bürstenabdeckung, rechts	
13	34705A	2	Schlauch, Bürste	
14	38014A	1	Verteiler, Frischwasser	
15	40645A	4	Gehäuse mit Flachstecker	
16	44809B	2	Motor Bürste	
17	50248A	2	Schlauchschelle 3/8	
18	56106070	6	BEARING BALL Z22	
19	57994A	2	SCREW M6 X 20 HEX HD	
20	59856A	2	Flachscheibe Gummi,	
21	59950A	1	Rad, kpl., Antrieb	
22	61924A	1	PLATE BRUSH 28	
23	61926A	1	Kopfhalterung f. Anheber	
24	71017A	2	Aufkleber	
25	56003179	3	Schraube HEX THD/HD M8-1,	
26	80198A	3	Mutter M8-1.25 HEX Nylon	
27	80199A	4	NUT M6-1 HEX NYLON LOCK S.S.	
28	85610A	1	Schraube .375-16 X 2,50	
30	88617A	8	Schraube M10	
31	88618A	1	Mutter M12	[6]
32	88619A	1	Schraube M12	
33	88623A	4	Mutter M4	
34	88627A	2	SCREW M6 X 40MM PAN	
35	56115427	1	LATCH ASSEMBLY	
36	55451A	1	Bürstenhalter, Gehäuse	
37	80223A	8	NUT M10-1.5 NYLOCK	
38	E04016	2	SPRING	
39	69186A	1	Lasche, Verriegelung,	
40	964002	4	Schraube 4.0X0.7 X 16	
41	56382665	2	Kardanring	
42	56112548	8	BUSHING	
43	56382618	4	Hebelkit	
44	38036A	2	Padhalter 355 mm	

Part Notes:

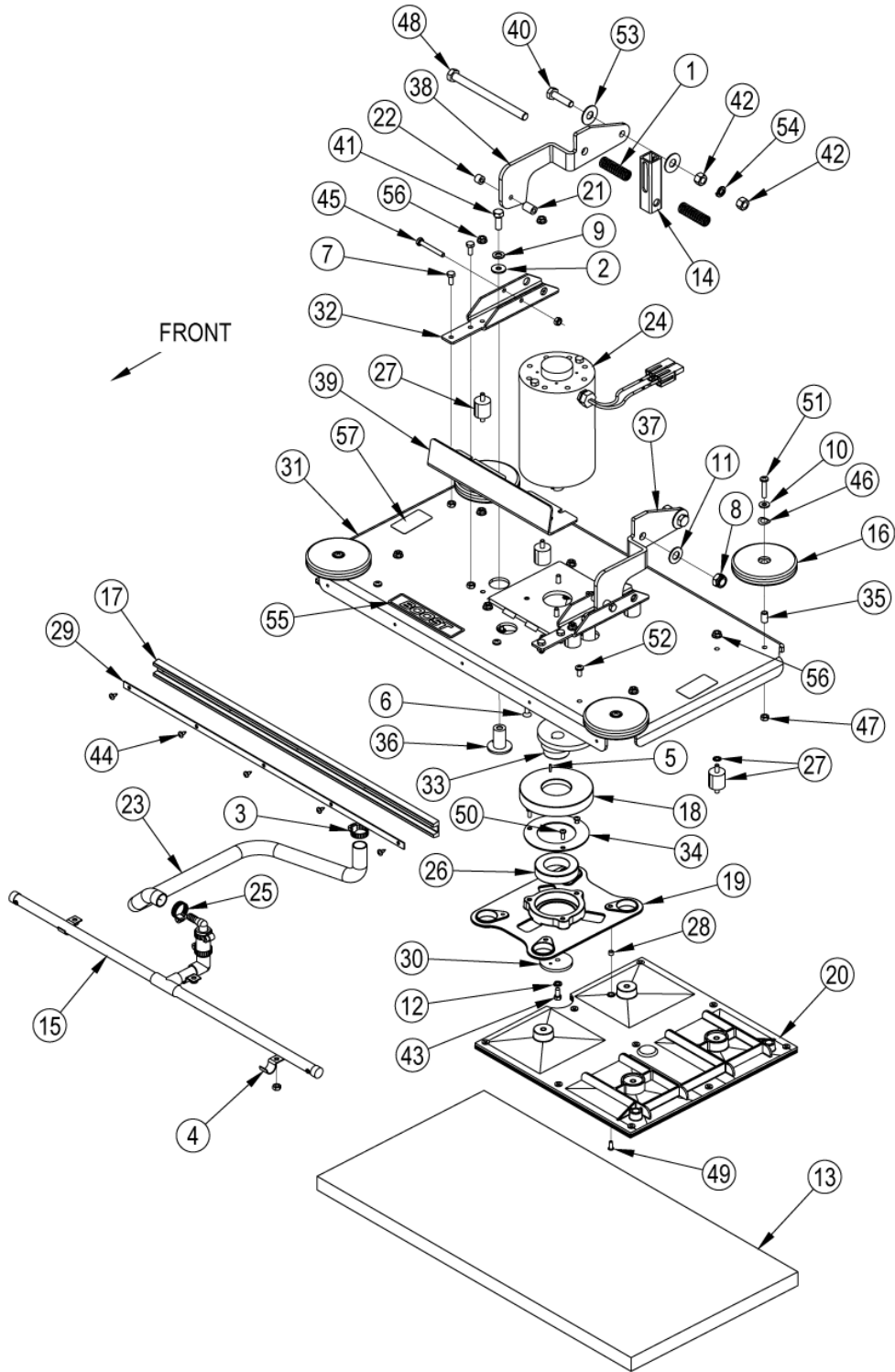
- [1] - EXPIRED USE 56002841
- [2] - EXPIRED USE 56002127
- [3] - EXPIRED USE 2-00-02310
- [4] - EXPIRED USE 56002063
- [5] - EXPIRED USE 56001879
- [6] - EXPIRED USE 56003312



Pos.	Artikel-Nr.	Menge	Variante	Notes
01	722030	1	Schlauchschelle Nr. 6	
02	782002	2	Klemme-Anschlussstück	
03	920248	2	Mutter 3/8-16	[1]
04	962714	2	Schraube 5/16-18X 3/4	
05	980638	1	Federscheibe 3/8	[2]
06	980645	2	Scheibe 3/8	[3]
07	980648	1	Scheibe 17/32 PHILL X	[4]
08	980652	8	Scheibe LK 5/16 REG	
09	56109717	1	TUBE JACK MOTOR	
10	30412A	1	Saugschlauch	
11	30453A	2	Schlauch, Vinyl,	
12	30583A	1	Bürstenabdeckung links	
13	30584A	1	Bürstenabdeckung rechts	
14	38014A	1	Verteiler, Frischwasser	
15	40645A	4	Gehäuse mit Flachstecker	
16	41046A	2	Bürstmotor	
17	50248A	2	Schlauchschelle 3/8	
18	53571A	1	Schlauchschelle	
19	57994A	2	SCREW M6 X 20 HEX HD	
20	59856A	2	Flachscheibe Gummi,	
21	59950A	1	Rad, kpl., Antrieb	
22	61923A	1	Platte f. Bürste 34	
23	61926A	1	Kopfhalterung f. Anheber	
24	71017A	2	Aufkleber	
25	56003179	11	Schraube HEX THD/HD M8-1,	
26	80198A	3	Mutter M8-1.25 HEX Nylon	
27	80199A	4	NUT M6-1 HEX NYLON LOCK S.S.	
28	85610A	1	Schraube .375-16 X 2,50	
30	88617A	8	Schraube M10	
31	88618A	1	Mutter M12	[5]
32	88619A	1	Schraube M12	
33	88623A	4	Mutter M4	
34	88627A	2	SCREW M6 X 40MM PAN	
35	56115427	1	LATCH ASSEMBLY	
36	55451A	1	Bürstenhalter, Gehäuse	
37	80223A	8	NUT M10-1.5 NYLOCK	
38	E04016	2	SPRING	
39	69186A	1	Lasche, Verriegelung,	
40	964002	4	Schraube 4.0X0.7 X 16	
41	56382665	2	Kardanring	
42	56112548	8	BUSHING	
43	56382618	4	Hebelkit	
44	38034A	2	Padhalter 430 mm	

Part Notes:

- [1] - EXPIRED USE 56002841
- [2] - EXPIRED USE 2-00-02310
- [3] - EXPIRED USE 56002063
- [4] - EXPIRED USE 56001879
- [5] - EXPIRED USE 56003312

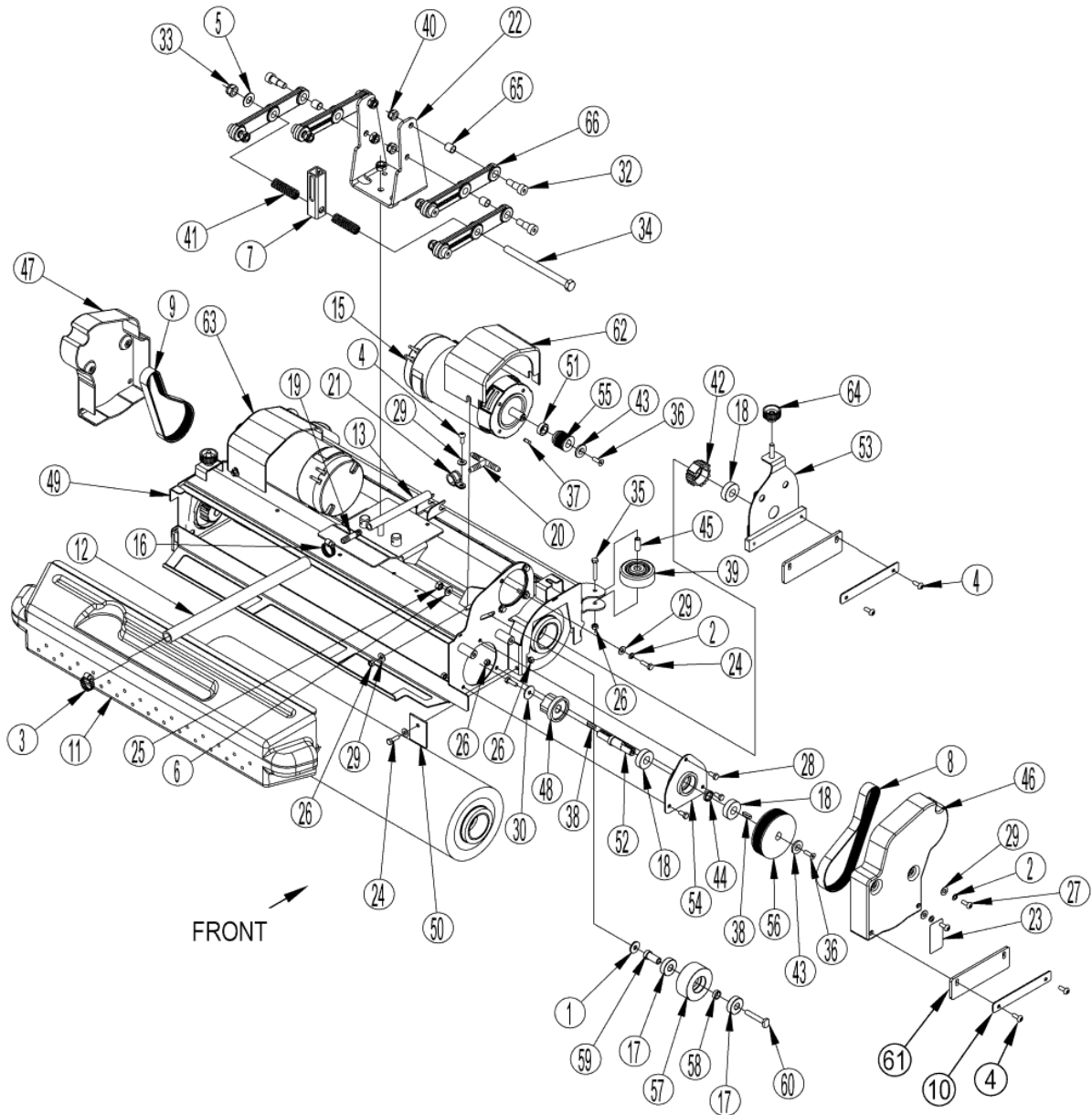


Pos.	Artikel-Nr.	Menge	Variante	Notes
1	E04016	2	SPRING	
2	56002220	2	WSH FLT CUT 5/16	
3	722030	1	Schlauchschele Nr. 6	
4	782002	3	Klemme-Anschlussstück	
5	925589	1	PIN 1/8 X 1/2	
6	56001881	4	SCR FLT HD SOC 1/4-20X.75	[1]
7	962139	4	SCREW 1/4-20 X 5/8 HEX HD	
8	88618A	1	Mutter M12	[2]
9	980638	2	Federscheibe 3/8	[3]
10	980646	4	U-Scheibe	[4]
11	980648	1	Scheibe 17/32 PHILL X	[5]
12	980657	1	Scheibe 1/4 STD	
13	997001	1	Pad 14", Ø 355 mm, rot, VPE 5	
14	56109717	1	TUBE JACK MOTOR	
15	10309A	1	TUBE DRIP 28	
16	30048A	4	Rolle 100 x 10-Nabe	
17	30206A	1	Stossleiste für Bürsten-	
18		1	Shield Boost Bearing	[1]
19	56381491	1	PLATE DRIVER	
20	56383375	2	FLEX PLATE ASSY 28	[1]
21	30670A	2	Distanzstück Nylon	
22	30671A	2	Distanzstück Nylon	
23	30680A	1	Frischwasserschlauch,	
24	56390072	1	Motor 24V	
24	56412287	1	Kohlenbürstenset m. Federkompl. BA 755/8	
25	50248A	1	Schlauchschele 3/8	
26	50736A	1	Lager	
27	56382991	1	KIT-ISOLATOR BOOST HD	[6]
29	61425A	1	RETAINER BUMPER	
30	61724A	1	Aufnahme Exzenter	
31	56381724	1	PLATE WELDT BOOST 28	
32	61733B	2	Halterung Bürstenkopf	
33		1	Eccentric	[7]
34	61775A	1	Lagerhalterung	
35	61782A	4	SLEEVE GUIDE WHEEL	
36	56381532	2	STUD STABILIZER SHORT	
37	61935A	1	ARM-LIFT-A	
38	61936A	1	ARM-LIFT-B	
39	61938A	1	GUARD FRONT	
40	56003491	2	Schraube HEX M10-1.5	
41	80103A	2	SCREW 3/8-24 X 1 HEX HEAD	
42	80162A	4	Mutter M10-1.5 HEX	
43	56002155	1	SCR HEX 1/4-20 X .75	
44	80296A	5	SCREW 10-24 X 3/8 PHCR TYPE 23	
45	56001874	2	Sechskantschraube 1/4	
46	80317A	4	WASHER BOWED .455 ID X .740 OD	
47	56002840	13	Nut 1/4 20	
48	88619A	1	Schraube M12	
49	56381989	4	BOLT-SHOULDER	
50	84237A	3	Flachkopfschraube	
51	85301A	4	Schraube 1/4 -20X1&1/4	[8]
52	85395A	3	SCREW 1/4 20 X 1/2 PAN HD SS	
53	87607A	4	Flachscheibe 1.25X.52X.06	
54	88612A	2	WASHER M10 LOCK	
55	56381702	1	LABEL BOOST	
56	56001827	12	NUT HEX SERRATED 1/4-20	
57	71017A	2	Aufkleber	

Part Notes:

- [1] - Customers ordering parts for machines built before April 2010 need to order 28" Flex Plate Kit 56383369 to replace any or all of these items for repair.
- [2] - EXPIRED USE 56003312
- [3] - EXPIRED USE 2-00-02310
- [4] - EXPIRED USE 56002098
- [5] - EXPIRED USE 56001879
- [6] - Customers ordering parts for machines built before April 2010 need to order 28" Flex Plate Kit 56383369 to replace any or all of these items for repair.

TSBCL2010-12
- [7] - Order Eccentric Shield Kit 56380246 to replace these components.
- [8] - EXPIRED USE 56002958

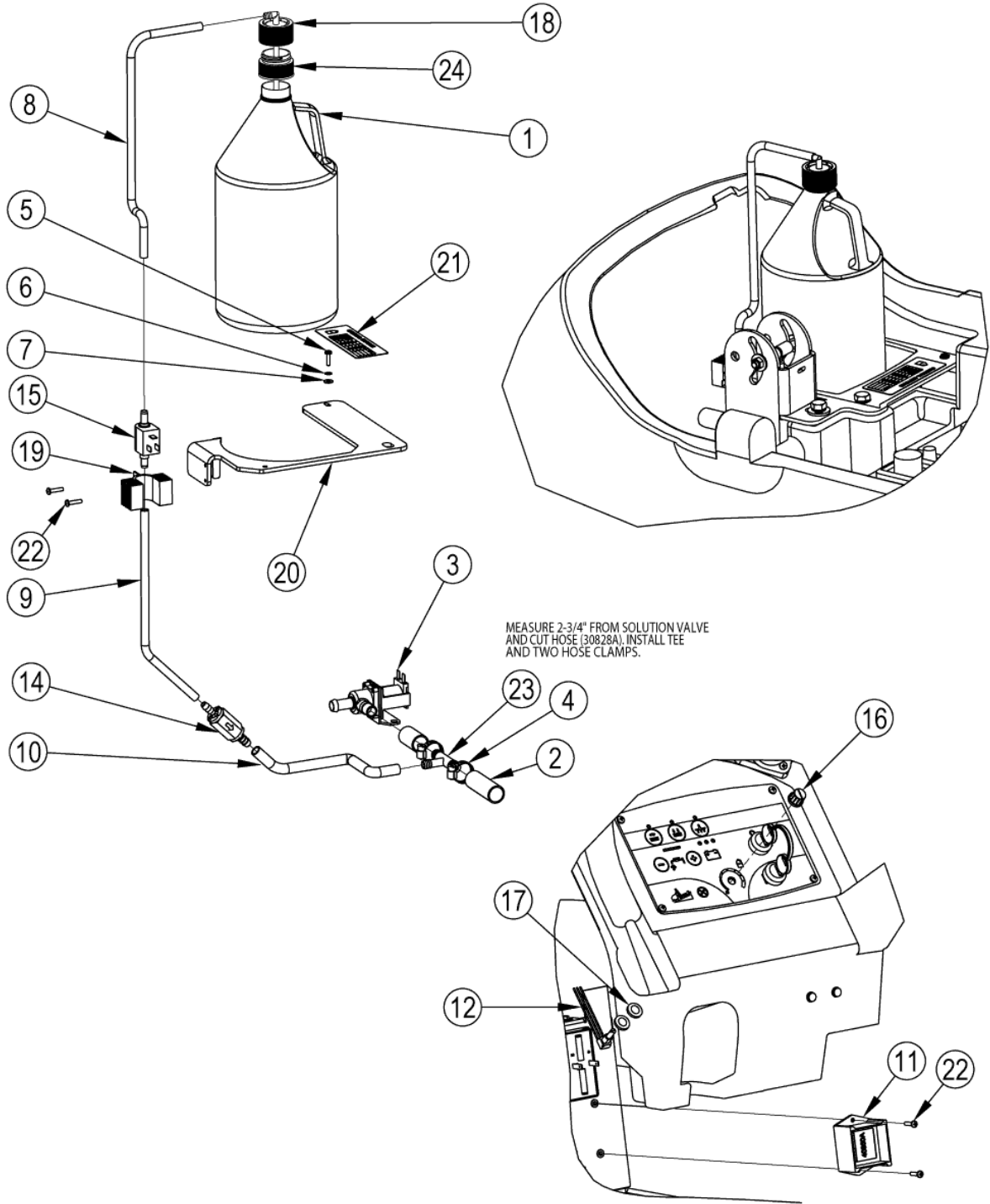


Pos.	Artikel-Nr.	Menge	Variante	Notes
01	56002220	2	WSH FLT CUT 5/16	
02	2-00-04687	12	Spiralsicherungsscheibe	
03	722030	1	Schlauchschele Nr. 6	
04	964007	9	SCREW M6X16 PN ST PH	
05	980648	1	Scheibe 17/32 PHILL X	[1]
06	56001939	2	Flachdichtung 5/16	
07	56109717	1	TUBE JACK MOTOR	
08	9095760000	1	BELT	
09	909 5761 000	1	Rillenriemen 11J04838BA 600SC	
10	9095769000	4	PLATE SPLASH GUARD FIXING	
11	909 6225 000	1	Grobschmutzbehälter BR751	
12	30680A	1	Frischwasserschlauch,	
13	30835A	1	HOSE	
14	40645A	4	Gehäuse mit Flachstecker	
15	41086A	2	Bürstmotor für Walzen-	
16	50248A	1	Schlauchschele 3/8	
17	51126A	4	BEARING-BALLDBL SEAL 6201	
18	56106070	6	BEARING BALL Z22	
19	52414A	1	Connector hose-tank	
20	53181A	1	HOSEBARB3/8TPLASTIC	
21	54779A	1	CLAMP P 5/8	
22	61926A	1	Kopfhalterung f. Anheber	
23	71017A	2	Aufkleber	
24	80195A	12	SCREW M6-1 X 20MM H.H. S.S.	
25	80198A	2	Mutter M8-1.25 HEX Nylon	
26	80199A	15	NUT M6-1 HEX NYLON LOCK S.S.	
27	80208A	4	Schraube M6x1,0 x 10mm	
28	56003155	6	Schraube HEX M6 1.0x12mm	
29	87026A	19	Scheibe .250	[2]
30	87039A	2	Scheibe 1/4	
32	88617A	8	Schraube M10	
33	88618A	1	Mutter M12	[3]
34	88619A	1	Schraube M12	
35	88626A	2	SCREW M6-1 X 40MM HEX	
36	88642A	4	SCREW M6-1X20MM FLAT HD SOCKET	
37	88645A	2	KEY SQUARE M5 X 15MM	
38	88646A	4	Vierkantkeil M5x20mm	
39	L08602460	2	Ablenkrolle BA 430 S	
40	80223A	9	NUT M10-1.5 NYLOCK	
41	E04016	2	SPRING	
42	56115273	2	HUB-IDLER	
43	145 5828 000	4	Abstandhalter	
44	146 1232 000	2	Distanzscheibe 15x20x4	
45	909 5710 000	2	Hülse 6.5x9.5x24	
46	9095724000	1	RIGHT CRANKCASE BELT PROTECT	
47	9095725000	1	LEFT CRANKCASE BELT PROTECT	
48	909 5728 000	2	Bürstenaufnahme	
49	909 5751 000	1	FRAME CYLINDRICAL DECK 750	
50	909 5752 000	2	Deckgummi BA 750 SC	
51	909 5754 000	2	Abstandshalter	
52	909 5755 000	2	Welle	
53	9097659000	2	Bürstenhalter Kit	
54	909 5757 000	2	Halterung	
55	909 5758 000	2	Ritzel	
56	909 6361 000	2	Riemenscheibekit BR 601 C	
57	909 5762 000	2	ROLLER BELT TENSIONER	
58	909 5764 000	2	SPACER 12.5X16X 6	
59	909 5765 000	2	BUSHING COLLARED	
60	909 5766 000	2	PIN	

Pos.	Artikel-Nr.	Menge	Variante	Notes
61	909 5770 000	4	Spritz Gummi	
62	909 5802 000	1	Motorabdeckung BR 751	
63	909 5803 000	1	Motorschutzgehäuse	
64	909 5964 000	2	Stellschraube	
65	56112548	8	BUSHING	
66	56382618	4	Hebelkit	

Part Notes:

- [1] - EXPIRED USE 56001879
- [2] - EXPIRED USE 56002859
- [3] - EXPIRED USE 56003312



Pos.	Artikel-Nr.	Menge	Variante	Notes
01		1	Bottle not available, use bottle from chemical supplier	[1]
02		1	See frame assembly	[2]
03		1	See frame assembly	[2]
04	722030	2	Schlauchschelle Nr. 6	
05	964002	1	Schraube 4.0X0.7 X 16	
06	980621	1	WASHER 8 EXT. TOOTH PLTD	
07	980982	1	Flachscheibe Nr. 10 SAE	
08	39725A	1	Rohr 1/4IN ID X 15 1/4IN	
09	39726A	1	Rohr 1/4 ID X 5 1/2	
10	39727A	1	TUBE 3/8 ID X 11 1/2	
11	40850A	1	Modul	
12	41084A	1	BEFESTIGUNG CHEMIEDOSIERUNG	
13	53186A	10	WIRE TIE 1/8 X 14.5 BLK	[3]
14	53719A	1	Absperrventil	
15	53721A	1	Chemiepumpe	
16	53736A	1	Drehknopf	
17	87618A	2	Flachscheibe .75X.39X.62	
18	54778A	1	Abdeckkappe f. Adapter,	
19	61772A	1	BRACKET CHEMICAL PUMP	
20	61954B	1	CHEMICAL JUG BRACKET	
21	71489A	1	Aufkleber Chemical Settin	
22	185USP	4	NUT DIE CAST ALUM 1-1/2 N	
23	88644A	1	TEE REDUCING 1/2 TO 3/8	
24	9097023000	1	Adapter f. Chemie Tank	

Part Notes:

- [1] - Bottle not available, use bottle from chemical supplier
 [2] - See frame assembly
 [3] - Not Shown

RECOMMENDED SPARE PARTS

SCRUBTEC 871 C

2017.11.02

2017.07.24

Pos.	Artikel-Nr.	Menge	Variante	Notes
00	10748A	1	Saugfuß kpl. 42	[1]
00	30832A	1	Saugschlauch	
00	9097466000	1	Vacuummotor Kit	
00	52556A	1	Tastschalter rückwärts	
00	41073A	1	Sicherung 30A,	
00	56381491	1	PLATE DRIVER	[2]
00	50736A	1	Lager	[2]
00	56384007	1	PVC-Schlauch 1/2x20	
00	56383375	1	FLEX PLATE ASSY 28	[2]
00	41068B	1	Steuergerät	
00	40628A	1	Kohlebürste	
00	9095760000	1	BELT	[3]
00	9100001354	1	SWITCH KEY WITH CAP PKD	
00	56382991	1	KIT-ISOLATOR BOOST HD	[2]
00	56412179	1	CONTACTOR 24 VDC	
00	41431B	1	Schutzschalter 35A thermi	[4]
00	30412A	1	Saugschlauch	[5]
00	30680A	1	Frischwasserschlauch,	[6]
00	9100000680	1	ACTUATOR LINEAR 24V DC STRK 100MM PKD	
00	39718A	1	Dicht. Schmutzwasserdecke	
00	58069A	1	Filter fuer Vacuumrohr	
00	56382665	1	Kardanring	[5]
00	41086A	1	Bürstmotor für Walzen-	[7]
00	909 5761 000	1	Rillenriemen 11J04838BA 600SC	[8]
00	9100000860	1	Wasserfilter	
00	56383385	1	CORD CHARGER YELLOW US	
00	11131A	1	Handflächenschalter	
00	56380159	1	Radf & Flansch Kit	
00	56412287	1	Kohlenbürstenset m. Federkompl. BA 755/8	[2]
00	9099679000	1	Einbauladegerät 24V-25A 230V	
00	44809B	1	Motor Bürste	[9]
00	56382991	1	KIT-ISOLATOR BOOST HD	[2]
00	41067A	1	Platine, Bedienelement	
00	56382501	1	FUNCTION BOARD SERVICE KIT	
00	40826A	1	Kohlebürste, kpl.	[9]
00	41422B	1	Schutzschalter, 25A SCR.	[10]
00	41069B	1	Relais-24VDC MINI ISO	
00	61775A	1	Lagerhalterung	[2]
00	9097621000	1	Hinterrad Kit schwenkbarBA 851	
00	40738A	1	Potentiometer	
00	56383388	1	Ladegerät	
00	10399A	1	Saugfuß kpl. 35	[11]
00	56382670	1	KIT TRANSAXLE MOTOR	
00	41074A	1	Sicherung 60A	
00	30799A	1	Ablassschlauch	
00	56383370	1	KIT-FLEXPLATE-BOOST 32 HD	
00	56385092	1	MOTOR BRUSH KIT	[1]
00	40002A	1	Schwimmerschalter	
00	56106070	1	BEARING BALL Z22	[12]
00	59789A	1	Magnetventil, Frisch-)	
00	41075A	1	Relais Saugmotor	
00	41046A	1	Bürstmotor	[1]
00	56390072	1	Motor 24V	[2]
00	10398A	1	Saugfuß kpl. 32,5	[13]
00	909 5770 000	1	Spritz Gummi	[14]

Part Notes:

- [1] - 886
- [2] - Boost 8

RECOMMENDED SPARE PARTS

SCRUBTEC 871 C

2017.11.02

2017.07.24

- [3] - 875 C
- [4] - 866, 871, 886, 8
- [5] - 866, 871, 886
- [6] - 871 C
- [7] - 872 C
- [8] - 876 C
- [9] - 866, 871
- [10] - 878 C
- [11] - 871, 8, 878 C
- [12] - 873 C
- [13] - 866
- [14] - 877 C

Pos.	Artikel-Nr.	Menge	Variante	Notes
00	80542425	1	Ladegerät HF 24V-25A SB120R	
00	9097597000	1	Einbauladegerät 24V-25A	
02	11363A	1	Reinigungsmittel-Dosiersystem	
03	11371A	1	Betriebsstundenzähler 24V	
04	56112221	1	KIT PARKING BRAKE	[1]
05	14607A	1	Pflegeset	[2]
06	53391A	1	BTY MAINT. SYSTEM KIT 24 V	
07	10398A	1	Saugfuß kpl. 32,5	
08	10399A	1	Saugfuß kpl. 35	
09	10748A	1	Saugfuß kpl. 42	
10	997002	1	Pad 14", Ø 355 mm, weiß, VPE 5	[3]
11	997001	1	Pad 14", Ø 355 mm, rot, VPE 5	[3]
12	997006	1	PAD-BLAU-14"X28"-5STK	[3]
13	997018	1	Pad Hi-Pro 14", Ø 355 mm, braun, VPE 10	[3]
13	56384454	1	PAD-MAROON-14X28-10/CS	
14	997000	1	Pad 14", Ø 355 mm, schwarz, VPE 5	[3]
15	56383924	1	PAD-BRUSH-GREEN-14X28-4/CS	[4]
18	30794A	1	2-seitiger Klettverschluss	[3]
19	11332A	1	Sauglippen Set 35 Urethan	[5]
20	11338A	1	Sauglippen Set 35	[6]
21	56112330	1	Absaugleisten-Set Gummi	[3]
22	38035A	1	Padhalter 330 mm	[7]
23	11438A	1	Schrubbbürste PP, 330 mm	[7]
24	11437A	1	Schrubbbürste 330 mm,	[8]
25	10382A	1	Schleifkornbürste 330 mm	[8]
26	11439A	1	Schleifkornbürste Clean Grit, 330 mm	[7]
27	11440A	1	Schleifkornbürste 330 mm	[8]
28	11333A	1	Sauglippen Set 32,5 Urethan	[7]
29	11339A	1	Sauglippen Set 32,5	[7]
30	11336A	1	Sauglippen Set 32,5 Gummi	[7]

Part Notes:

- [1] - COMPLEXITY REDUCTION
- [2] - SEE PI 2017-002
- [3] - SCRUBTEC BOOST 8
- [4] - NOT FOR SALE VIA EDC
- [5] - SCRUBTEC BOOST 8
EXPIRED USE 56112332
- [6] - SCRUBTEC BOOST 8
EXPIRED USE 56112331
- [7] - SCRUBTEC BOOST 866
- [8] - SCRUBTEC BOOST 866
COMPLEXITY REDUCTION

ACCESSORIES**Scrubtec 871**

<u>Description</u>	<u>Part No.</u>	<u>Description</u>	<u>Part No.</u>
Pad Driver & Brushes		35" Squeegee Blades (front & rear)	
Pad Driver (14")	38036A	Urethane Squeegee Blade Kit	11332A
Poly Brush (14")	11427B	Linatex Squeegee Blade Kit	11338A
Soft Nylon Brush (14")	10874A	Gum Squeegee Blade Kit	11335A
Lite Grit Brush (14")	10383A		
Medium Grit Brush (14")	11431B		
Heavy Grit Brush (14")	11426B		

Scrubtec 886

<u>Description</u>	<u>Part No.</u>	<u>Description</u>	<u>Part No.</u>
Pad Driver & Brushes		41" Squeegee Blades (front & rear)	
Pad Driver (17")	38034A	Urethane Squeegee Blade Kit	11331A
Poly Brush (17")	11424B	Linatex Squeegee Blade Kit	11337A
Soft Nylon Brush (17")	10875A	Gum Squeegee Blade Kit	11334A
Lite Grit Brush (17")	10384A		
Medium Grit Brush (17")	11430B		
Heavy Grit Brush (17")	11425B		

Scrubtec 871C

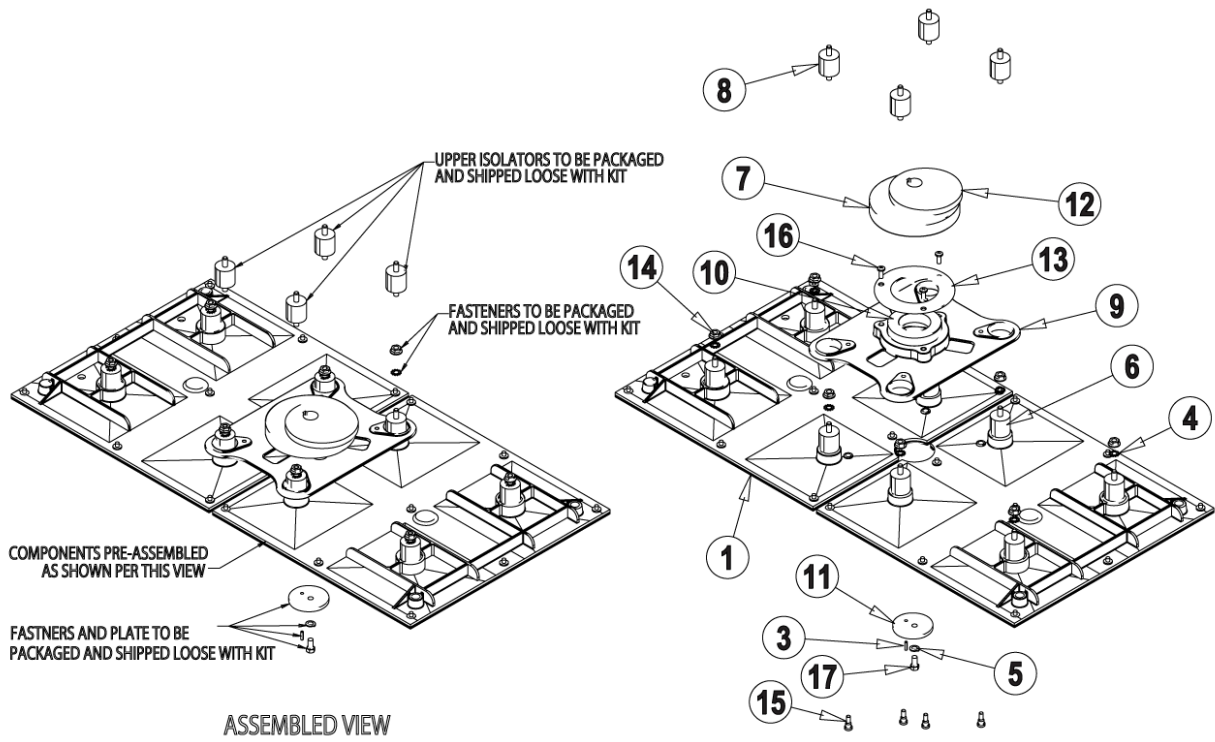
<u>Description</u>	<u>Part No.</u>	<u>Description</u>	<u>Part No.</u>
Brushes		35" Squeegee Blades (front & rear)	
#Poly Brush (5.7" dia.)	56412046	Urethane Squeegee Blade Kit	11332A
#Soft Nylon Brush (5.7" dia.)	56412191	Linatex Squeegee Blade Kit	11338A
#Hard Nylon Brush (5.7" dia.)	56412192	Gum Squeegee Blade Kit	11335A
#Lite Grit Brush (5.7" dia.)	56412193		
#Medium Grit Brush (5.7" dia.)	56412194		
#Heavy Grit Brush (5.7" dia.)	56412195		

= Revised or new since last update

Pos.	Artikel-Nr.	Menge	Variante	Notes
01	38036A	1	Padhalter 355 mm	[1]
02	11427B	1	Schrubbbürste PP, 355 mm	[1]
03	10874A	1	Schrubbbürste 355 mm	[1]
04	10383A	1	BRUSH ASM LITE GRIT 14	[2]
05	11431B	1	Schleifkornbürste Grit mittel, 355 mm	[1]
06	11426B	1	Schleifkornbürste 355 mm	[2]
07	56383920	1	PAD-BRUSH-GREEN-14-4/CS	[3]
10	38034A	1	Padhalter 430 mm	[4]
11	11424B	1	Schrubbbürste PP 430 mm,	[4]
12	10875A	1	Schrubbbürste 430 mm	[4]
13	10384A	1	Schleifkornbürste 430 mm, Grit 17	[4]
14	11430B	1	Schleifkornbürste Grit mittel, 430 mm	[4]
15	11425B	1	Schleifkornbürste Grit, schwer, 430 mm	[4]
20	56412046	1	Bürstenwalze PP, rot	[5]
21	56412191	1	Bürstenwalze Nylon, weich, gelb	[6]
22	56412192	1	Bürstenwalze Nylon, hart, Naturborsten	[5]
23	56412193	1	Bürstenwalze Sica Grit 180, blau/grau	[5]
24	56412194	1	Walze Sica schwarz BR700C	[6]
25	56412195	1	Walze Sica braun BR 700 C	[6]
30	56112332	1	Absaugleisten-Set PU	[7]
31	56112331	1	Absaugleisten-Set Gummi, rot	[7]
32	56112330	1	Absaugleisten-Set Gummi	[7]
40	56115335	1	SQUEEGEE KIT-BLADE-PU	[8]
41	56115333	1	SQUEEGEE KIT-BLADE-LINATEX	[8]
42	56115334	1	SQUEEGEE KIT-BLADE-GUM	[8]
50	56112332	1	Absaugleisten-Set PU	[7]
51	56112331	1	Absaugleisten-Set Gummi, rot	[7]
52	56112330	1	Absaugleisten-Set Gummi	[7]

Part Notes:

- [1] - SCRUBTEC BOOST 871
- [2] - SCRUBTEC BOOST 871
COMPLEXITY REDUCTION
- [3] - NOT FOR SALE VIA EDC
- [4] - SCRUBTEC BOOST 886
- [5] - SCRUBTEC BOOST 871C
- [6] - SCRUBTEC BOOST 871C
COMPLEXITY REDUCTION
- [7] - 35" Squeegee Blades
- [8] - 41" Squeegee Blades



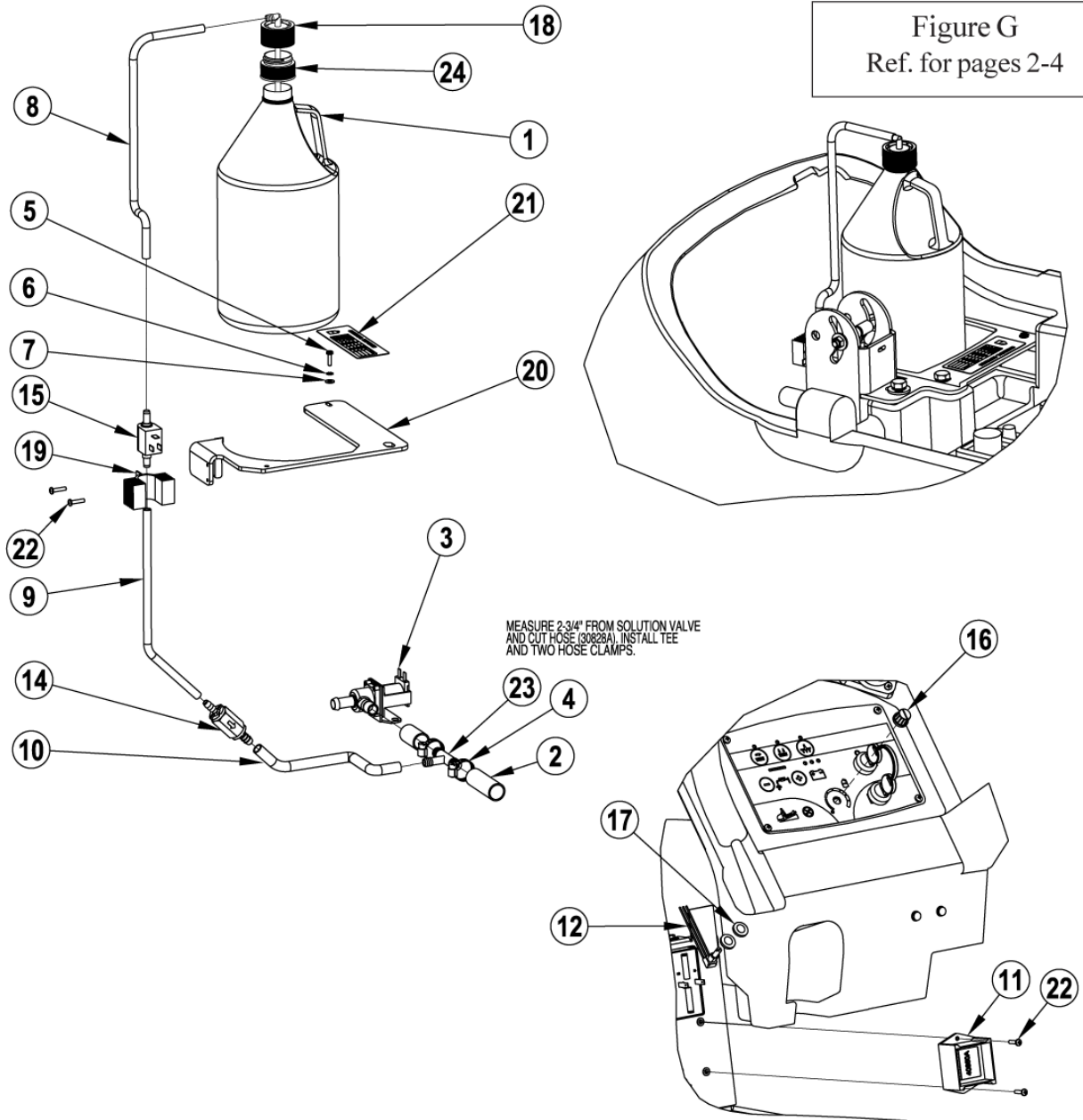
Pos.	Artikel-Nr.	Menge	Variante	Notes
0	56383369	1	KIT-FLEXPLATE-BOOST 28 HD	
0	56383370	1	KIT-FLEXPLATE-BOOST 32 HD	
0	56383151	1	KIT-FLEXPLATE-BOOST 28 LG	
1	56383375	1	FLEX PLATE ASSY 28	[1]
1	56383376	1	FLEX PLATE ASSY 32	[2]
2		1	Loctite 242 Compound Blue 0.5	[3]
3	925589	1	PIN 1/8 X 1/2	
4	980614	8	U-Scheibe	
5	980657	1	Scheibe 1/4 STD	
6	56380190	8	ISOLATOR-30 DURO 1/4-20	
7	56380192	1	Lagerschild	[4]
8		4	Isolator-40 Duro 1/4-20	[5]
9	56381491	1	PLATE DRIVER	
10	50736A	1	Lager	
11	61724A	1	Aufnahme Exzenter	
12		1	Eccentric	[6]
13	61775A	1	Lagerhalterung	
14	56001827	8	NUT HEX SERRATED 1/4-20	
15	56381989	1	BOLT-SHOULDER	
16	84237A	3	Flachkopfschraube	
17	85737A	1	Schraube 1/4-20 X 5/8 HEX	
K1	56380246	1	Exzenterische	[7]
K2	56382991	1	KIT-ISOLATOR BOOST HD	[8]

Part Notes:

- [1] - 56383369 56383151
- [2] - 56383370
- [3] - Loctite 242 Compound Blue 0.5
- [4] - TSB-CL2010-12
- [5] - Isolator-40 Duro 1/4-20
- [6] - Eccentric
- [7] - Includes pos. 3, 7, 12
- [8] - Includes pos. 2, 4, 6, 8, 14

for use with 56383369 56383370

Figure G
 Ref. for pages 2-4



Pos.	Artikel-Nr.	Menge	Variante	Notes
00	11363A	1	Reinigungsmittel-Dosiersystem	
01		1	REF. CLEANING SOLUTION BOTTLE	[1]
02		1	REF. FROM FRAME ASM.	[2]
03		1	REF. VALVE FROM FRAME ASM.	[3]
04	722030	2	Schlauchschelle Nr. 6	
05	964002	1	Schraube 4.0X0.7 X 16	
06	980621	1	WASHER 8 EXT. TOOTH PLTD	
07	980982	1	Flachscheibe Nr. 10 SAE	
08	39725A	1	Rohr 1/4IN ID X 15 1/4IN	
09	39726A	1	Rohr 1/4 ID X 5 1/2	
10	39727A	1	TUBE 3/8 ID X 11 1/2	
11	40850A	1	Modul	
12	41084A	1	BEFESTIGUNG CHEMIEDOSIERUNG	
13	53186A	10	WIRE TIE 1/8 X 14.5 BLK	[4]
14	53719A	1	Absperrventil	
15	53721A	1	Chemiepumpe	
16	53736A	1	Drehknopf	
17	87618A	2	Flachscheibe .75X.39X.62	
18	54778A	1	Abdeckkappe f. Adapter,	
19	61772A	1	BRACKET CHEMICAL PUMP	
20	61954B	1	CHEMICAL JUG BRACKET	
21	71489A	1	Aufkleber Chemical Settin	
22	85614A	4	SCREW8-32X3/4 PAN HD	
23	88644A	1	TEE REDUCING 1/2 TO 3/8	
24	9097023000	1	Adapter f. Chemie Tank	[5]

Part Notes:

- [1] - REF. CLEANING SOLUTION BOTTLE
- [2] - REF. FROM FRAME ASM.
- [3] - REF. VALVE FROM FRAME ASM.
- [4] - NOT ILLUSTRATED
- [5] - FOR SUTTER BOX

